

1.5 Watt / 12Pins SIP / 500Vdc Isolation / Package E

FEATURES:

1. Low Cost, High Performance
2. Miniature SIP Package
3. 500Vdc Input/Output Isolation
4. No External Components Required
5. Low Profile and Compact Size

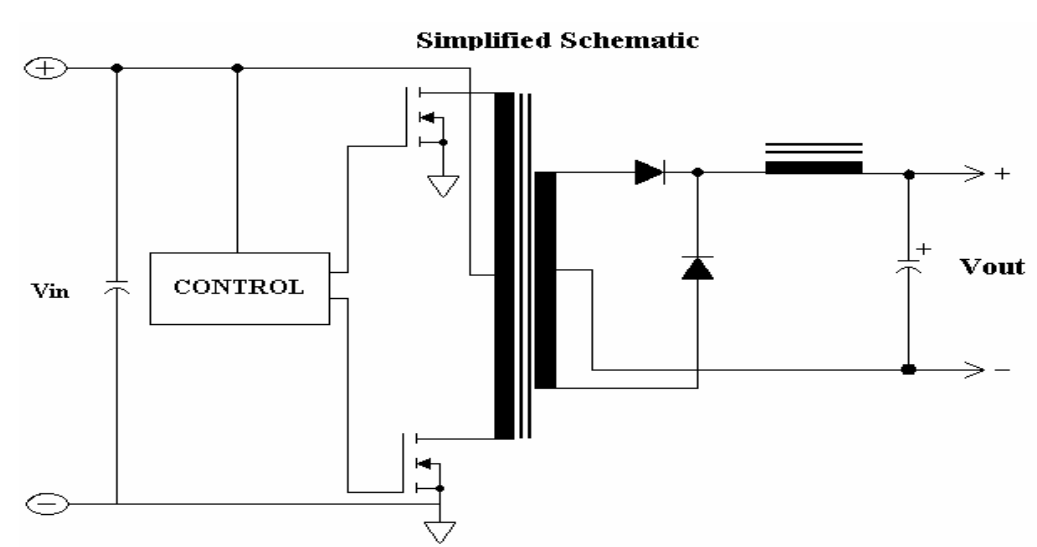
APPLICATIONS:

1. Telecommunications
2. Battery Powered Systems
3. Transportation Equipment
4. Portable Instruments
5. Distributed Power Systems



Specification At 25°C

Input Specifications:	General Specifications:
Input Voltage Range: $\pm 10\%$	Isolation Voltage: 500Vdc
Input Filter: Internal Capacitor	Efficiency: See Table
Output Specifications:	Switching Frequency: 25KHz typical
Output Voltage & Current: See Table	Isolation Resistance: 1000M ohm
Voltage Accuracy: $\pm 3\%$ max	Environmental Specifications:
Output Voltage Balance (Dual Outputs): $\pm 1\%$	Operating Temperature: -25 to +71°C
Line Regulation (at full load): $\pm 1\%$ max	Storage Temperature: -40 to +105°C
Load Regulation (at full load to 1/4 load):	Cooling: Free air convection
$\pm 5\%$ max	Humidity Non-Condensing: 20 to 95% RH
Temperature Coefficient: $\pm 0.05\%$ / °C max	Physical Specifications:
Ripple & Noise (20MHz BW): 1% p-p max	Case Material: Non-Conductive Plastic Case
Short Circuit Protection: Momentary	Weight: 8 Grams Typical



Ordering Information:

T	05	A	S	015	—	05	S	05
Company	Isolation Voltage	Input Vol. Model	Package	Output Watt		Input Voltage	Output Model	Output Voltage
TAIMAG	05=500,10=1000 15=1500,20=2000	A=±5%~10% B=2:1,C=4:1	S=Single D=Dual,SM=SMD	015=1.5Watt		05=5V±5% Or 9-18V	S=Single D=Dual	05=5V

Electrical Specification:

Model	Input			Output		Efficiency Typical % (a)	Package External Fuse (b)
	Voltage (Vdc)	Current(mA)		Voltage (Vdc)	Current (mA)		
		No-Load	Full-Load				
T05AS015-05S05	5	60	600	5	300	50	EL/R,1.5
T05AS015-05S12	5	60	490	12	125	61	EL/R,1
T05AS015-05S15	5	50	480	15	100	62	EL/R,1
T05AS015-05D12	5	60	525	±12	±60	54	EL/R,1.5
T05AS015-05D15	5	45	490	±15	±50	61	EL/R,1
T05AD015-12S05	12	30	250	5	300	50	EL/R,0.5
T05AS015-12S12	12	20	210	12	125	59	EL/R,0.5
T05AS015-12S15	12	20	205	15	100	60	EL/R,0.5
T05AS015-12D12	12	25	200	±12	±60	60	EL/R,0.5
T05AS015-12D15	12	30	210	±15	±50	59	EL/R,0.5
T05AS015-24S05	24	15	125	5	300	50	EL/R,0.2
T05AS015-24S12	24	25	115	12	125	54	EL/R,0.2
T05AS015-24S15	24	20	110	15	100	56	EL/R,0.2
T05AS015-24D12	24	20	100	±12	±60	60	EL/R,0.2
T05AS015-24D15	24	15	105	±15	±50	59	EL/R,0.2

(a) Efficiency is specified at nominal input voltage and full load

(b) Certain applications may require the installation of external fuse in front of the input.

Dimensions: Unit=mm±0.25

Pin Connections				
Pin Number	L		R	
	Single	Dual	Single	Dual
1	+Input	+Input	+Input	+Input
2	NC	-Output	NC	-Output
3	NC	COM	NC	COM
9	NC	NC	NC	NC
10	-Output	COM	+Output	COM
11	+Output	+Output	+Output	+Output
12	-Input	-Input	-Input	-Input

Package E:

