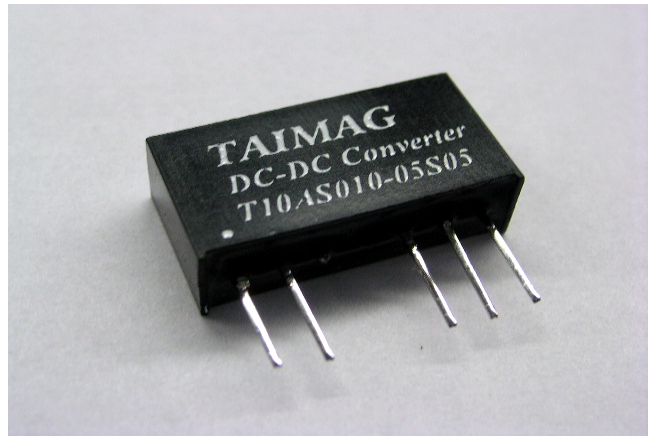


FEATURES:

1. Low Cost, High Performance
2. Miniature SIP Package
3. 1000Vdc Input/Output Isolation
4. No External Components Required
5. Low Profile and Compact Size

APPLICATIONS:

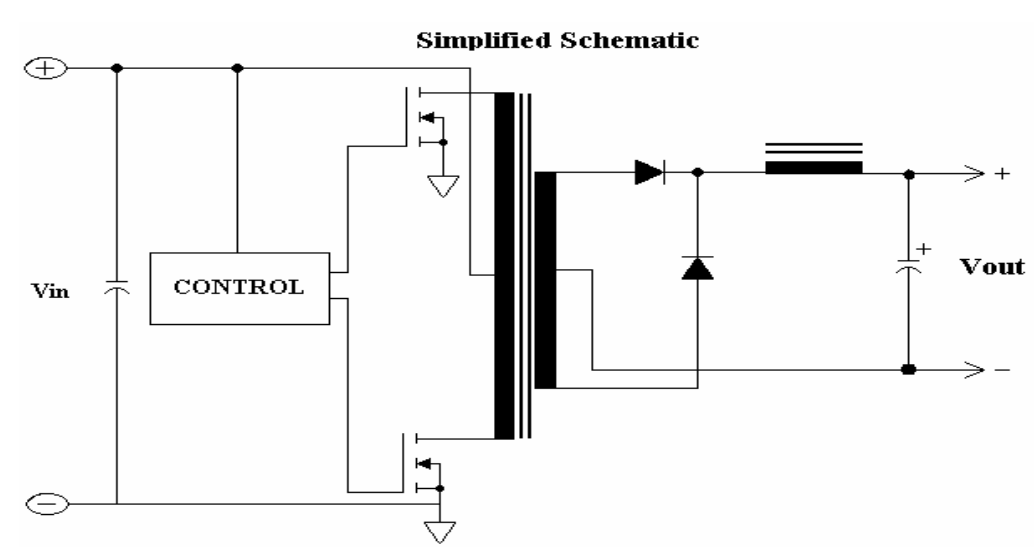
1. Telecommunications
2. Battery Powered Systems
3. Transportation Equipment
4. Portable Instruments
5. Distributed Power Systems



Specification At 25°C

Input Specifications:
Input Voltage Range: $\pm 10\%$
Input Filter: Internal Capacitor
Output Specifications:
Output Voltage & Current: See Table
Voltage Accuracy: $\pm 3\%$ max
Output Voltage Balance(Dual Outputs): $\pm 1\%$
Line Regulation(at full load): $\pm 1\%$ max
Load Regulation (at full load to 1/4 load): $\pm 5\%$ max
Temperature Coefficient: $\pm 0.05\%$ / °C max
Ripple & Noise(20MHz BW): 1% p-p max
Short Circuit Protection: Momentary

General Specifications:
Isolation Voltage:1000Vdc
Efficiency: See Table
Switching Frequency: 100KHz typical
Isolation Resistance: 1000M ohm
Environmental Specifications:
Operating Temperature: -25 to +71°C
Storage Temperature: -40 to +105°C
Cooling: Free air convection
Humidity Non-Condensing: 20 to 95% RH
Physical Specifications:
Case Material:Non-Conductive Plastic Case
Weight: 8 Grams Typical



Ordering Information:

T	10	A	S	020	—	05	S	05
Company	Isolation Voltage	Input Vol. Model	Package	Output Watt		Input Voltage	Output Model	Output Voltage
TAIMAG	05=500,10=1000	A=±5%~10%	S=Single	020=2Watt		05=5V±5%	S=Single	05=5V
	15=1500,20=2000	B=2:1,C=4:1	D=Dual,SM=SMD			Or 9-18V	D=Dual	

Electrical Specification:

Model	Input			Output		Efficiency Typical % (a)	Package External Fuse (b)
	Voltage (Vdc)	Current(mA)		Voltage (Vdc)	Current (mA)		
		No-Load	Full-Load				
T10AS020-05S05	5	45	506	5	400	79	D
T10AS020-05S12	5	42	500	12	167	80	D
T10AS020-05D05	5	45	513	±5	±200	78	D
T10AS020-05D12	5	42	500	±12	±84	80	D
T10AS020-12S05	12	26	211	5	400	79	D
T10AS020-12S12	12	25	208	12	167	80	D
T10AS020-12S15	12	24	206	15	134	81	D
T10AS020-12D05	12	26	214	±05	±200	78	D
T10AS020-12D12	12	25	208	±12	±84	80	D
T10AS020-12D15	12	24	208	±15	±67	80	D
T10AS020-24S05	24	8	105	5	400	79	D
T10AS020-24S12	24	7	101	12	167	82	D
T10AS020-24S15	24	8	107	±5	200	78	D
T10AS020-24D12	24	7	103	±12	±84	81	D
T10AS020-24D15	24	7	102	±15	±67	82	D

(a) Efficiency is specified at nominal input voltage and full load

(b) Certain applications may require the installation of external fuse in front of the input.

Dimensions: Unit=mm±0.25

Pin Connections		
Pin Number	Package D:	
	Single	Dual
1	+Input	+Input
2	-Input	-Input
4	-Output	-Output
5	NC	Common
6	+Output	+Output

