



NO: RD-H1100

DATE: 2005/09/15 I (REV:A1)

# 10/100 BASE-T SMT TRANSFORMER

## MODEL NO. : HA-037

### FEATURE:

RoHS Compliant

RoHS peak solder rating 260

Designed to meet IR requirement

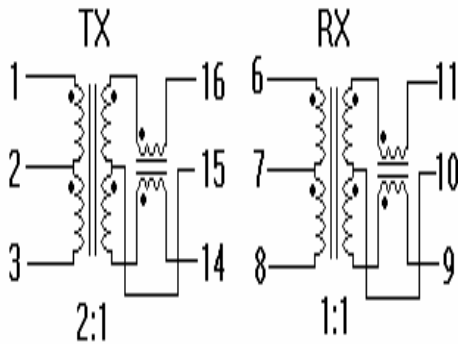
Specifications @ 25

Operating temp. : -40 ~ +85

OCL : 350uH Min @100Khz , 100mV 8mA

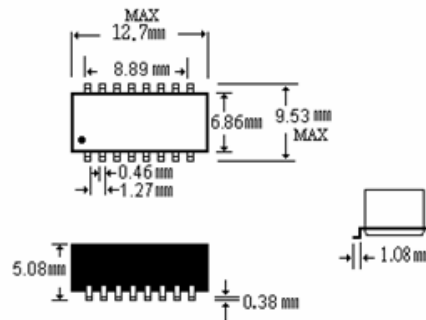
Part Number	Insertion Loss 100KHz to 100MHz ( dB MAX )	Cross talk (dB MIN)MHz 30 ~ 60 ~100	Return Loss (dB MIN)MHz 30 ~ 60 ~ 80	Common Mode Rejection (dB MIN) 30 ~ 50 ~ 100MHz	Hi pot VAC
HA-037	-1.1	-45 -40 -35	-20 -14 -11.5	-42 -37 -33	1500

### SCHEMATICS:

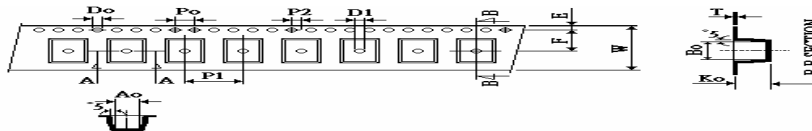


### DIMENSION: mm

TOLERANCE: ±0.25



### Packing :

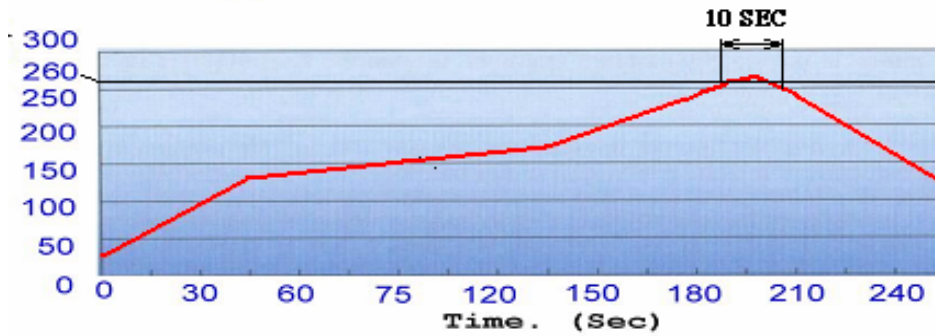


A-A SECTION		DIMENSION	W	P1	P0	E	F	AO	BO	Aot
SPEC.	+/-	24.0	16.0	4.0	1.75	11.5	10.0	13.2	0.08	(MIN)
		0.30	0.10	0.10	0.10	0.10	0.10	0.10		
DIMENSION		K0	P2	D0	D1	10P0	T	K1	Bot	
SPEC.	+/-	6.80	2.0	1.55	1.5	40.0	0.40	6.15	0.08	(MIN)
		0.10	0.10	0.05	(MIN)	0.20	0.10	0.10		

Tape & reel.....600/reel  
Tubc.....39/tub

## MODEL NO. : HA-037

### Profile of IR Reflow (Lead Free)



### PACKING

1. Tape & Reel : 600pcs / Reel , 3000pcs / Carton
2. Dry Pack : 1pcs  
Product Description:(5g Silica Gel Desiccant)  
PH: 4-8  
Package Materials: Paper(Length 6.5±1cm , Width 5±1cm)
3. Reel Packed By Vocumm
4. Seal Per Jedec

