

10/100 BASE-T SMT TRANSFORMER MODEL NO.: HA-059

FEATURE:

RoHS Compliant

RoHS peak solder rating 260

Designed to meet IR requirement

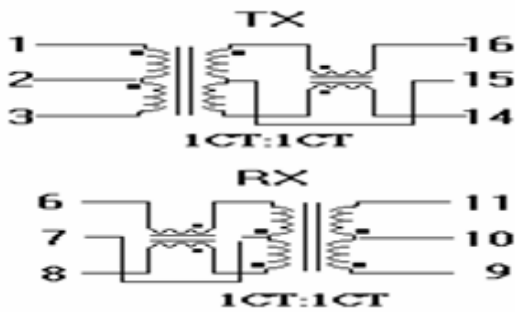
Specifications @ 25

Operating temp. : -40 ~ +85

OCL : 350uH MIN. @100KHz 100mV 8mA VDC

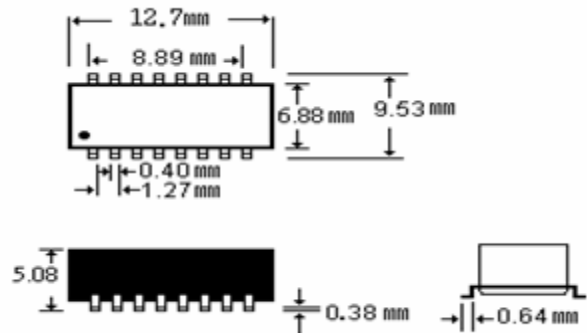
Part Number	Insertion Loss 0.1 to 125 MHz (dB MAX)	Cross talk (dB MIN)		Return Loss 5 to 100 MHz (dB MIN)		Common Mode Rejection (dB MIN)		Hi pot VAC
		1-60MHz	60-100MHz	1-60MHz	60-100MHz	1-60MHz	60-100MHz	
HA-059	-1.0	-40	-38	-15	-14	-35	-32	1500

SCHEMATICS:

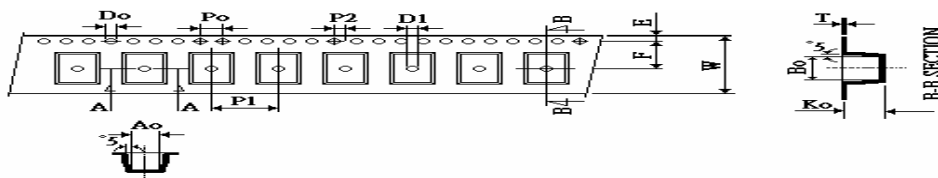


DIMENSION: mm

TOLERANCE:±0.25



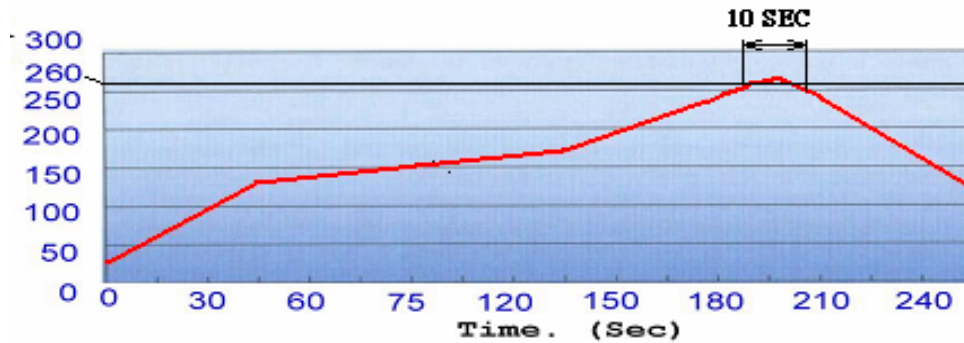
Packing :



DIMENSION	W	P1	P0	E	F	A0	B0	Aot
SPEC.	24.0	16.0	4.0	1.75	11.5	10.0	13.2	0.08
	±	0.30	0.10	0.10	0.10	0.10	0.10	(MIN)
DIMENSION	K0	P2	D0	D1	10P0	T	K1	Bot
SPEC.	6.80	2.0	1.55	1.5	40.0	0.40	6.15	0.08
	±	0.10	0.10	0.05	(MIN)	0.20	0.10	(MIN)

Tape & reel.....:600/reel
Tube.....:39/tub

MODEL NO : HA-059 Profile of IR Reflow (Lead Free)



PACKING

1. Tape & Reel : 600pcs / Reel , 3000pcs / Carton
2. Dry Pack : 1pcs
Product Description:(5g Silica Gel Desiccant)
PH: 4-8
Package Materials: Paper(Length 6.5±1cm , Width 5±1cm)
3. Reel Packed By Vocumm
4. Seal Per Jedec

