



NO: RD-HA-SD058
DATE: 2005/09/15 I (REV:A1)

10/100 BASE-T SMT TRANSFORMER

MODEL NO : HA-085

FEATURE:

RoHS Compliant

RoHS peak solder rating 260

Designed to meet IR requirement

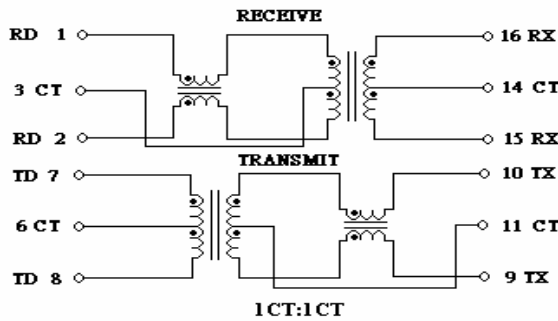
Specifications @ 25

Operating temp. : -40 ~+85

OCL : 350uH Min @100Khz , 100mV 8mA

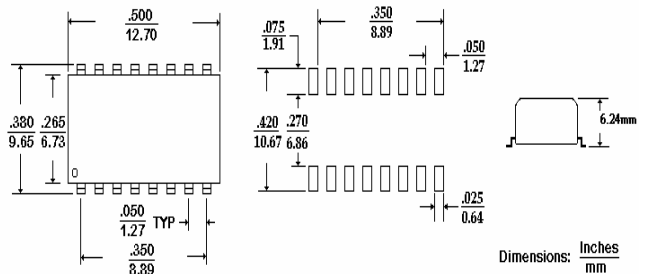
| Part Number | Turns Ratio (±5%) | | Insertion Loss (dB MAX) | Return Loss (dB MIN) | | | Common Mode Rejection (dB MIN .) | | | Cross Talk (dB MIN) | | HIPOT (VAC) |
|-------------|---------------------|---------|---------------------------|------------------------|------------|--------|------------------------------------|---------|----------|-----------------------|------|-------------|
| | TX | RX | | 1~60 MHz | 60~100 MHz | 30 MHz | 50 MHz | 100 MHz | 1~60 MHz | 60~100 MHz | | |
| HA-085 | TX | RX | 0.1~125 MHz | 1~60 MHz | 60~100 MHz | 30 MHz | 50 MHz | 100 MHz | 1~60 MHz | 60~100 MHz | 1500 | |
| | 1CT:1CT | 1CT:1CT | -1.1 | -15 | -14 | -42 | -37 | -33 | -40 | -38 | | |

SCHEMATICS:

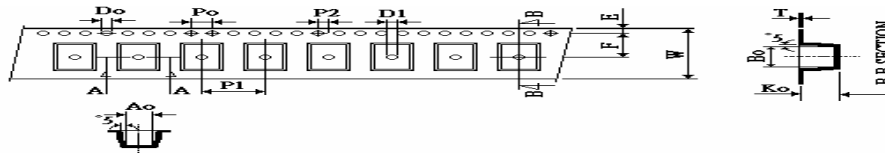


DIMENSION: mm

TOLERANCE:±0.25



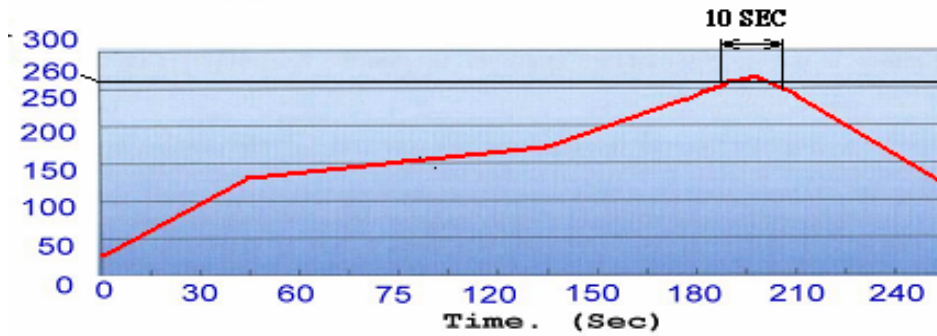
Packing :



| DIMENSION | W | P1 | PO | E | F | AO | BO | Aot |
|-----------|----------|----------|----------|----------|----------|----------|----------|-------|
| SPEC. | 24.0 | 16.0 | 4.0 | 1.75 | 11.5 | 10.0 | 13.2 | 0.08 |
| | +/- 0.30 | +/- 0.10 | +/- 0.10 | +/- 0.10 | +/- 0.10 | +/- 0.10 | +/- 0.10 | (MIN) |
| DIMENSION | KO | P2 | Do | D1 | 10Po | T | K1 | Bot |
| SPEC. | 6.80 | 2.0 | 1.55 | 1.5 | 40.0 | 0.40 | 6.15 | 0.08 |
| | +/- 0.10 | +/- 0.10 | +/- 0.05 | (MIN) | +/- 0.20 | +/- 0.10 | +/- 0.10 | (MIN) |

Tape & reel.....600/reel
Tub.....39/Tab

MODEL NO : HA-085 Profile of IR Reflow (Lead Free)



PACKING

1. Tape & Reel : 600pcs / Reel , 3000pcs / Carton
2. Dry Pack : 1pcs
Product Description:(5g Silica Gel Desiccant)
PH: 4-8
Package Materials: Paper(Length 6.5±1cm , Width 5±1cm)
3. Reel Packed By Vocumm
4. Seal Per Jedec

