

10/100BASE-T SMT Transformer

MODEL NO.: HA-096

FEATURE:

RoHS Compliant

RoHS peak solder rating 260

Designed to meet IR requirement

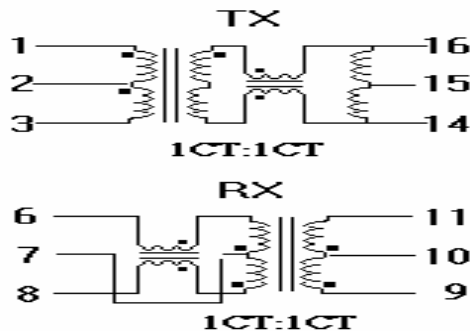
Specifications @ 25

Operating temp. : -40 ~ +85

OCL : 350uH Min @100Khz , 100mV 8mA

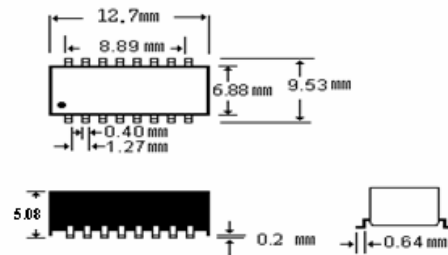
Part Number	Insertion Loss at -40°C ~ +85°C (dB MAX)	Return Loss (dB MIN)				Crosstalk (dB MIN)				Differential to Common Mode Rejection (dB MIN)		Hipot (Vrms MIN)
		MHz				MHz				MHz		
HA-096	MHz	MHz				MHz				MHz		1500
	0.1 ~ 100	2~30	40	50	60~80	1	30	60	100	1~60	60~200	
	-1.0	-18	-16	-14.5	-12	-50	-45	-40	-35	-40	-35	

SCHEMATIC:

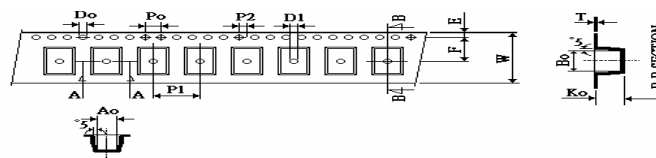


DIMENSION: mm

TOLERANCE: ±0.25



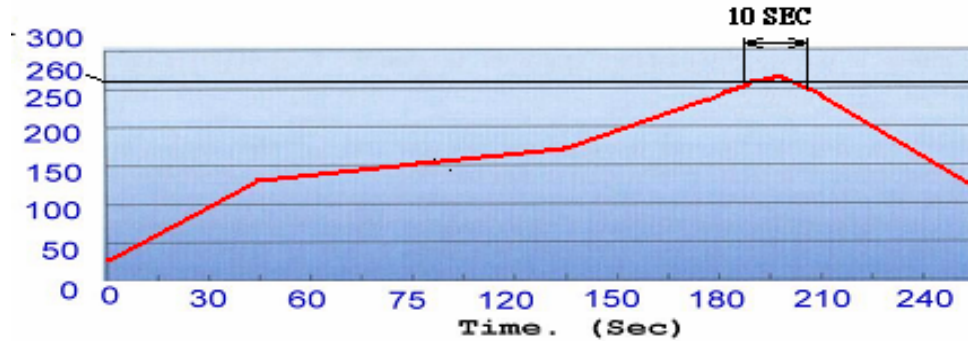
Packing :



A-A SECTION		W	P1	PO	E	F	AO	BO	Aot
SPEC.	+/-	24.0	16.0	4.0	1.75	11.5	10.0	13.2	0.08
		0.30	0.10	0.10	0.10	0.10	0.10	0.10	(MIN)
DIMENSION		KO	P2	Do	D1	10Po	T	K1	Bot
SPEC.	+/-	6.80	2.0	1.55	1.5	40.0	0.40	6.15	0.08
		0.10	0.10	0.05	(MIN)	0.20	0.10	0.10	(MIN)

Tape & reel.....600/reel
Tube.....39/tub

MODEL NO.: HA-096 Profile of IR Reflow (Lead Free)



PACKING

1. Tape & Reel : 600pcs / Reel , 3000pcs / Carton
2. Dry Pack : 1pcs
Product Description:(5g Silica Gel Desiccant)
PH: 4-8
Package Materials: Paper(Length $6.5\pm 1\text{cm}$, Width $5\pm 1\text{cm}$)
3. Reel Packed By Vacuum
4. Seal Per Jedec

