



NO:RD-HA-SD104
Date:2005/09/15-I (REV:A1)

10/100 BASE-T SMT TRANSFORMER MODEL NO.: HA-104

FEATURE:

RoHS Compliant

RoHS peak solder rating 260

Designed to meet IR requirement

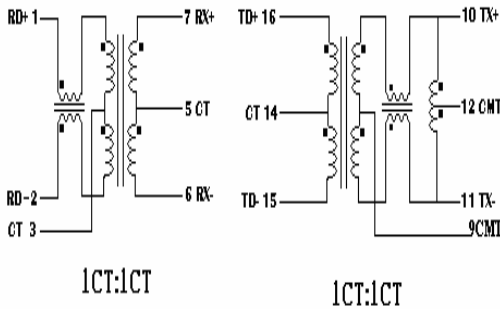
Specifications @ 25

Operating temp. : -40 ~ +85

OCL : 350uH Min @100Khz , 100mV 8mA

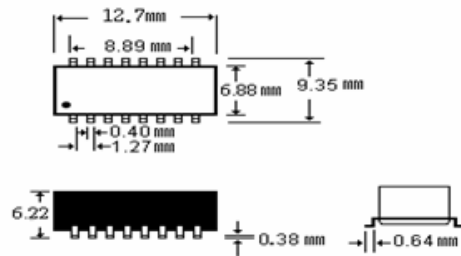
Parts no.	Insertion Loss (dB max) 1-125MHz	Rise Time (ns typical)	Return Loss (dB typical)		CMRR (dB min)		Cross talk (dB min)		Isolation Voltage (Arms min)
			MHz		MHz		MHz		
			1-60	60-100	0.1-60	60-100	0.1-60	60-100	
HA-104	-1.1	2.5	-18TX /-17RX	-13TX /-15RX	-42TX /-40RX	-40TX /-35RX	-40	-38	1500

SCHEMATICS:

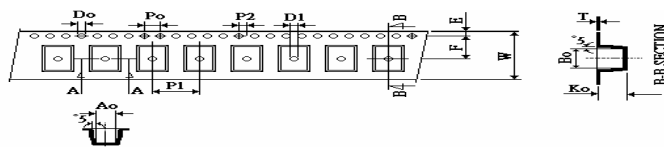


DIMENSION: mm

TOLERANCE:±0.25



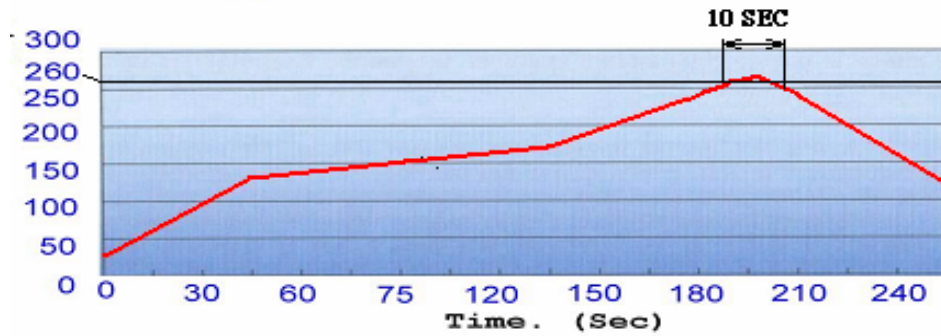
Packing :



A-A SECTION		W	P1	PO	E	F	AO	BO	Aot
SPEC.	+/-	24.0 0.30	16.0 0.10	4.0 0.10	1.75 0.10	11.5 0.10	10.0 0.10	13.2 0.10	0.08 (MIN)
B-B SECTION		KO	P2	Do	D1	10Po	T	K1	Bot
SPEC.	+/-	6.80 0.10	2.0 0.10	1.55 0.05	1.5 (MIN)	40.0 0.20	0.40 0.10	6.15 0.10	0.08 (MIN)

Tape & reel.....600/reel
Tube.....39/tub

MODEL NO.: HA-104 Profile of IR Reflow (Lead Free)



PACKING

1. Tape & Reel : 600pcs / Reel , 3000pcs / Carton
2. Dry Pack : 1pcs
Product Description:(5g Silica Gel Desiccant)
PH: 4-8
Package Materials: Paper(Length 6.5±1cm , Width 5±1cm)
3. Reel Packed By Vocumm
4. Seal Per Jedec

