



NO: RD-HA-SD107
DATE: 2005/09/15 I (REV:A1)

10/100BASE-T TRANSFORMER

MODEL NO.: HA-107

FEATURE:

RoHS Compliant

RoHS peak solder rating 260

Designed to meet IR requirement

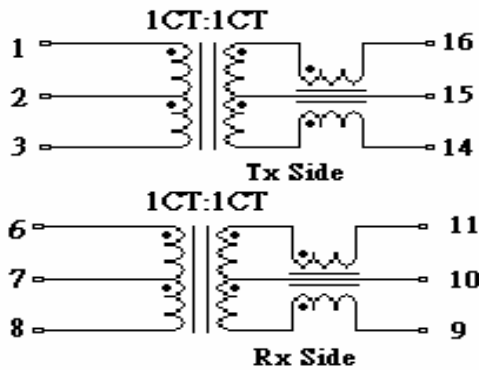
Specifications @ 25

Operating temp. : -40 ~ +85

OCL : 350uH Min @100Khz , 100mV 8mA

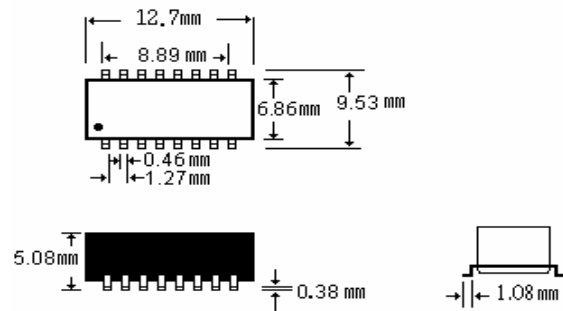
Part Number	Turns Ratio (±3%)	OCL (uH MIN)	LL (uH MAX)	Cww (pF MAX)	DCR (ΩMAX)	Insertion Loss (dB MAX)	Cross Talk (dB MIN)	Return Loss (dB)	Common Mode Rejection (dB MIN)	HITOP HIPOT (VAC)
HA-107	1CT:1CT	350	0.40	30	1.5	1 to 100MHz	0.11-100 MHz	40 MHz	1 -100 MHz	1500
						1.1	35	15.5	-35	

SCHEMATICS:

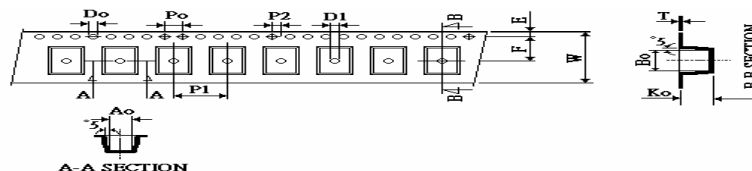


DIMENSION: mm

TOLERANCE: ±0.25



Packing :

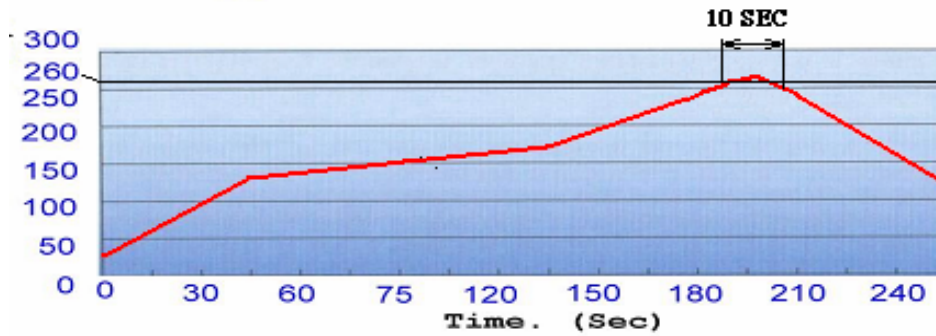


DIMENSION	W	P1	PO	E	F	AO	BO	Aot
SPEC.	24.0	16.0	4.0	1.75	11.5	10.0	13.2	0.08
	+/- 0.30	0.10	0.10	0.10	0.10	0.10	0.10	(MIN)
DIMENSION	KO	P2	Do	D1	10Po	T	K1	Bot
SPEC.	6.80	2.0	1.55	1.5	40.0	0.40	6.15	0.08
	+/- 0.10	0.10	0.05	(MIN)	0.20	0.10	0.10	(MIN)

Tape & reel.....600/reel
Tubc.....39/tub

MODEL NO.: HA-107

Profile of IR Reflow (Lead Free)



PACKING

1. Tape & Reel : 600pcs / Reel , 3000pcs / Carton
2. Dry Pack : 1pcs
Product Description:(5g Silica Gel Desiccant)
PH: 4-8
Package Materials: Paper(Length 6.5±1cm , Width 5±1cm)
3. Reel Packed By Vacuum
4. Seal Per Jedec

