



NO: RD-TG110-S050N2,TS6121A
 DATE: 2005/09/16-I(REV:A1)

10/100 BASE-T SMT TRANSFORMER

MODEL NO.: HA-124

FEATURE:

RoHS Compliant

RoHS peak solder rating 260

Designed to meet IR requirement

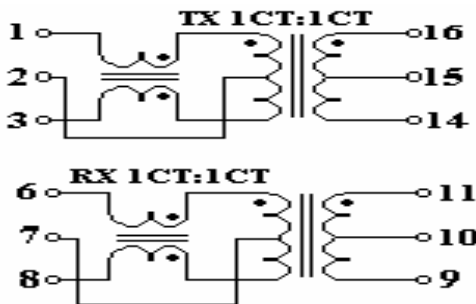
Specifications @ 25

Operating temp. : -40 ~ +85

OCL : 350uH Min @100Khz , 100mV 8mA

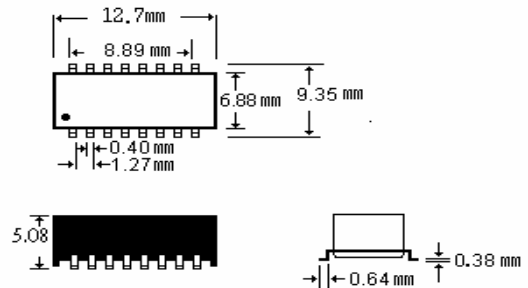
Part Number	Transformer Turns ratio ($\pm 3\%$)		Insertion Loss (dB TYP) 1-100MHz	Crosstalk (dB MIN) 0.1-100MHz	Return loss MHZ (dB MIN)				Common Mode Rejection (dB MIN) 0.1-100 MHZ	Hipot VAC
	Receive	Transmit			0.5-30	40	50	60-80		
HA-124	1CT:1CT	1CT:1CT	-1.15	-38	-18	-15.5	13.0	-12	-40	1500

SCHEMATICS:

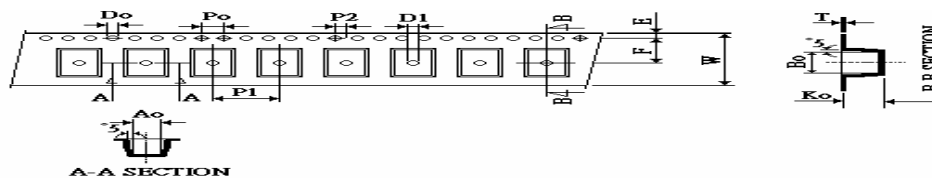


DIMENSION: mm

TOLERANCE: ± 0.25



Packing :



DIMENSION	W	P1	P2	D1	E	F	AO	BO	Aot
SPEC.	24.0	16.0	4.0	1.75	11.5	10.0	13.2	0.08	(MIN)
	+/- 0.30	0.10	0.10	0.10	0.10	0.10	0.10	0.10	
DIMENSION	K0	P2	Do	D1	10Po	T	K1	Bot	
SPEC.	6.80	2.0	1.55	1.5	40.0	0.40	6.15	0.08	(MIN)
	+/- 0.10	0.10	0.05	(MIN)	0.20	0.10	0.10		

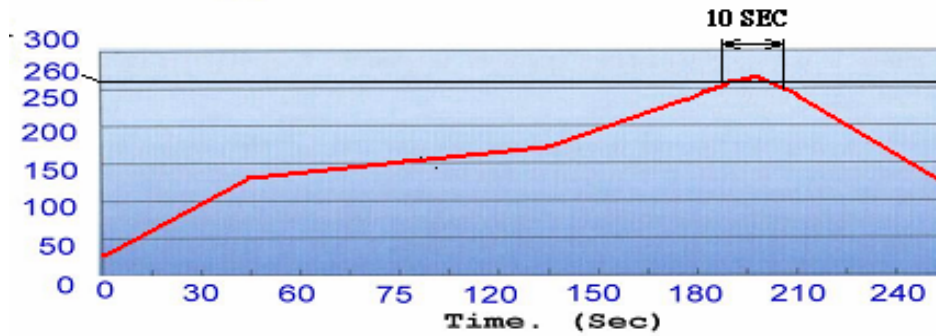
Tape & reel.....600/reel
 Tube.....39/tub



NO: RD-TG110-S050N2,TS6121A
DATE: 2005/09/16-I(REV:A1)

MODEL NO.: HA-124

Profile of IR Reflow (Lead Free)



PACKING

1. Tape & Reel : 600pcs / Reel , 3000pcs / Carton
2. Dry Pack : 1pcs
Product Description:(5g Silica Gel Desiccant)
PH: 4-8
Package Materials: Paper(Length 6.5±1cm , Width 5±1cm)
3. Reel Packed By Vocumm
4. Seal Per Jedec

