



NO: RD-TSB20L
 DATE: 2005/09/16 I (REV:A2)

10/100 BASE-T SMT TRANSFORMER

MODEL NO : HA-132

FEATURE:

RoHS Compliant

RoHS peak solder rating 260

Designed to meet IR requirement

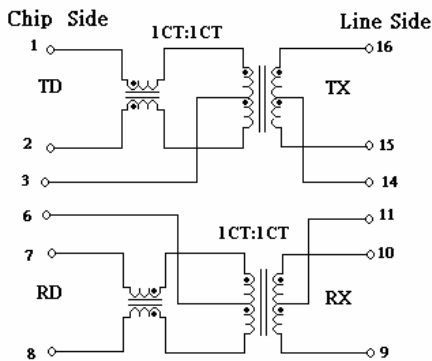
Specifications @ 25

Operating temp. : -40 ~ +85

OCL : 350uH Min @100Khz , 100mV 8mA

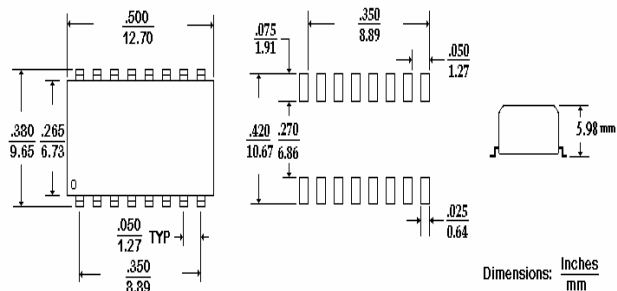
Part Number	Turns Ratio (±5%)	Insertion Loss (dB MAX)	Return Loss (dB MIN)			Common Mode Rejection (dB MIN .)			Cross Talk (dB MIN)		HIPOT (VAC)
			30 MHz	60MHz	80 MHz	30 MHz	60 MHz	100 MHz	1~60 MHz	60~100 MHz	
HA-132	1CT:1CT	0.1~125 MHz	-13	-11	-10	-38	-35	-30	-40	-35	1500
		1CT:1CT -1.5									

SCHEMATICS:

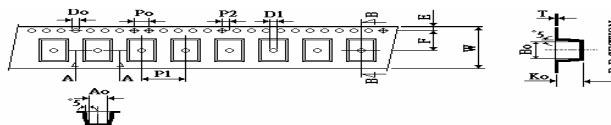


DIMENSION: mm

TOLERANCE: ±0.25



Packing :



A-A SECTION		W	P1	PO	E	F	AO	BO	Act
DIMENSION		24.0	16.0	4.0	1.75	11.5	10.0	13.2	0.08
SPEC.	+/-	0.30	0.10	0.10	0.10	0.10	0.10	0.10	(MIN)
B-B SECTION		KO	P2	Do	D1	10Po	T	K1	Bot
DIMENSION		6.80	2.0	1.55	1.5	40.0	0.40	6.15	0.08
SPEC.	+/-	0.10	0.10	0.05	(MIN)	0.20	0.10	0.10	(MIN)

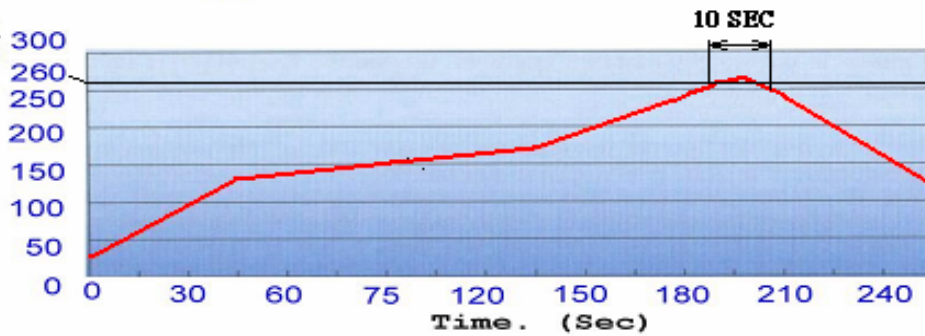
Tape & reel.....600/reel
 Tube.....390/tub



NO: RD-TSB20L
DATE: 2005/09/16 I (REV:A2)

MODEL NO : HA-132

Profile of IR Reflow (Lead Free)



PACKING

1. Tape & Reel : 600pcs / Reel , 3000pcs / Carton
2. Dry Pack : 1pcs
Product Description:(5g Silica Gel Desiccant)
PH: 4-8
Package Materials: Paper(Length 6.5±1cm , Width 5±1cm)
3. Reel Packed By Vacuum
4. Seal Per Jedec

