

10/100 BASE-T SMT TRANSFORMER MODEL NO: HA-134

FEATURE:

RoHS Compliant

RoHS peak solder rating 260

Designed to meet IR requirement

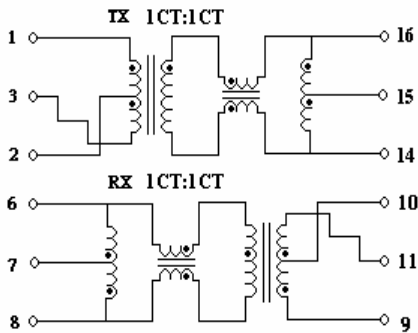
Operating temp : -40 ~ +110

SPECIFICATION @25

OCL : 350uH Min @ 100Khz,100Mv with 8mA DC BIAS

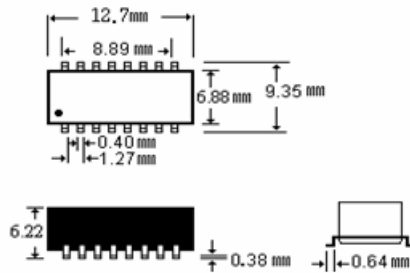
Part NO.	Turns Ratio (±5%)	Insertion Loss (dB MAX)				Return Loss (dB MIN)			CMRR (dB MIN .)		Cross Talk (dB MIN)		HIPOT (VAC)
		0.1-1	1.0-15	15-60	60-100 MHz	1-60 MHz	60-80 MHz	80-100 MHz	0.1-60 MHz	60-100 MHz	0.1-60 MHz	60-100 MHz	
HA-134	TX/RX												1500
	1CT:1CT	-1.0	-0.3	-0.6	-1.1	-18	-15	-12	TX RX	-46 -35	-42 -33	-43 -38	

SCHEMATICS:

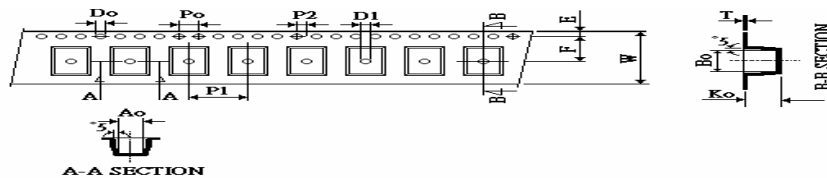


DIMENSION: mm

TOLERANCE: ±0.25



Packing :

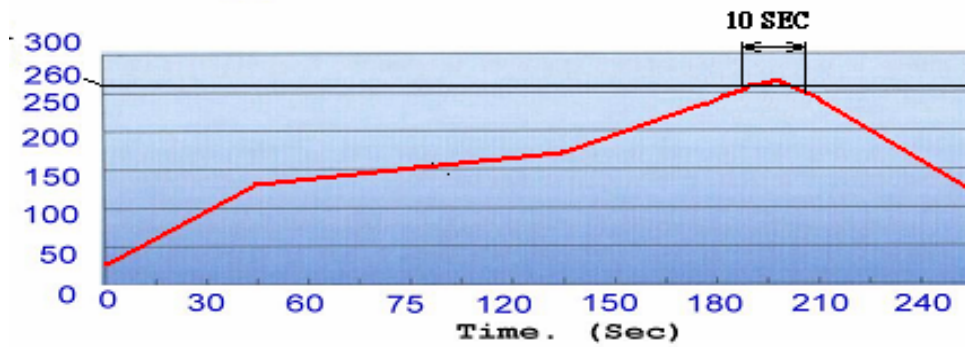


DIMENSION	W	P1	P0	E	F	AO	BO	Aot
SPEC.	24.0	16.0	4.0	1.75	11.5	10.0	13.2	0.08
	+/- 0.30	0.10	0.10	0.10	0.10	0.10	0.10	(MIN)
DIMENSION	K0	P2	D0	D1	10Po	T	K1	Bot
SPEC.	6.80	2.0	1.55	1.5	40.0	0.40	6.15	0.08
	+/- 0.10	0.10	0.05	(MIN)	0.20	0.10	0.10	(MIN)

Tape & reel.....600/reel
Tube.....39/tab

MODEL NO: HA-134

Profile of IR Reflow (Lead Free)



PACKING

1. Tape & Reel : 600pcs / Reel , 3000pcs / Carton
2. Dry Pack : 1pcs
Product Description:(5g Silica Gel Desiccant)
PH: 4-8
Package Materials: Paper(Length $6.5\pm 1\text{cm}$, Width $5\pm 1\text{cm}$)
3. Reel Packed By Vacuum
4. Seal Per Jedec

