



NO: RD-HA-FT-HA-135D
 DATE: 2005/09/16 I(REV:A2)

10/100 BASE TRANSFORMERS DESIGNED FOR NS CHIPSETS MODEL NO : HA-135D

FEATURE:

RoHS Compliant

RoHS peak solder rating 260

Designed to meet IR requirement

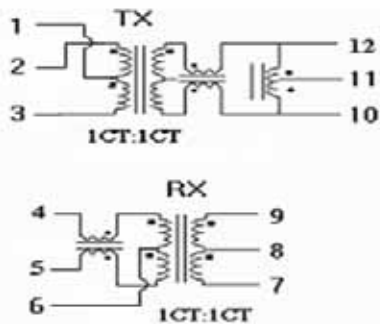
Specifications @ 25

Operating temp. : -40 ~ +85

OCL : 350uH Min @100Khz , 100mV 8mA

Part Number	Insertion Loss 0.1 to 125 MHz (dB MAX)	Cross talk (dB MIN)		Return Loss 5 to 100 MHz (dB MIN)		Common Mode Rejection (dB MIN)		Hi pot VAC
		1-60MHz	60-100MHz	1-60MHz	60-100MHz	1-60MHz	60-100MHz	
HA-135D	-1.0	-40	-38	-15	-14	-35	-32	1500

SCHEMATICS:



DIMENSION: mm TOLERANCE:±0.25

