



NO: RD- H1302
DATE: 2005/09/16 I (REV:A2)

10/100BASE-T SMT TRANSFORMER

MODEL NO: HA-136

FEATURE:

RoHS Compliant

RoHS peak solder rating 260

Designed to meet IR requirement

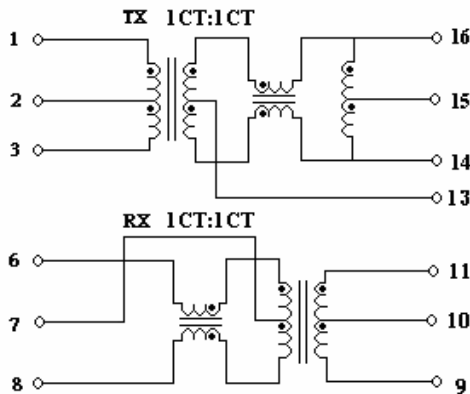
Operating temp : 0 to 70

SPECIFICATION @25

OCL : 350uH Min @ 100KHz, 100mV with 8mA DC BIAS

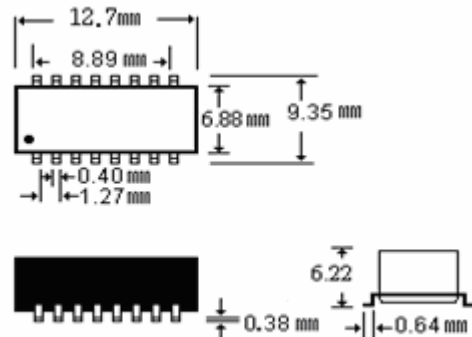
Part NO.	Turns Ratio (±5%)	Insertion Loss (dB MAX)	Return Loss (dB MIN)			CMRR (dB MIN.)			Cross Talk (dB MIN)			HIPOT (VAC)
			30 MHz	60 MHz	80 MHz	30 MHz	50 MHz	100 MHz	30 MHz	60 MHz	100 MHz	
HA-136	TX/RX	0.1~100 MHz										1500
	1CT:1CT	-1.1	-16	-10	-10	-42	-37	-32	-35	-30	-30	

SCHEMATICS:

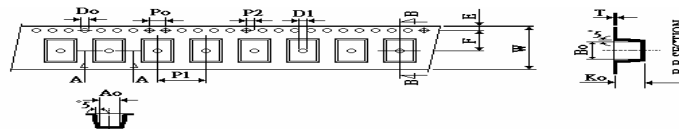


DIMENSION: mm

TOLERANCE: ±0.25



Packing :

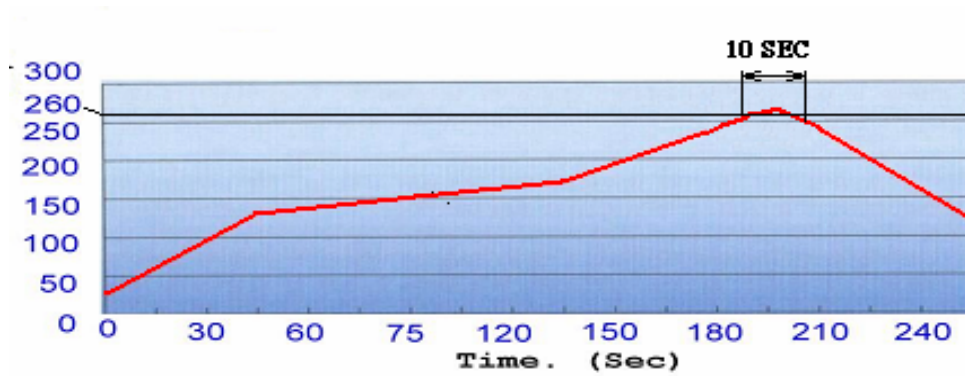


DIMENSION	W	P1	PO	E	F	AO	BO	Act
SPEC.	24.0	16.0	4.0	1.75	11.5	10.0	13.2	0.08
	+/-	0.30	0.10	0.10	0.10	0.10	0.10	(MIN)
DIMENSION	KO	P2	Do	D1	10Po	T	K1	Bot
SPEC.	6.80	2.0	1.55	1.5	40.0	0.40	6.15	0.08
	+/-	0.10	0.10	0.05	(MIN)	0.20	0.10	(MIN)

Tape & reel.....600/reel
Tube.....39/tub

MODEL NO: HA-136

Profile of IR Reflow (Lead Free)



PACKING

1. Tape & Reel : 600pcs / Reel , 3000pcs / Carton
2. Dry Pack : 1pcs
Product Description:(5g Silica Gel Desiccant)
PH: 4-8
Package Materials: Paper(Length $6.5\pm 1\text{cm}$, Width $5\pm 1\text{cm}$)
3. Reel Packed By Vacuum
4. Seal Per Jedec

