



NO: RD-HA-FT-HA-138D
 DATE: 2005/11/02 C(REV:A1)

10/100 BASE TRANSFORMERS DESIGNED FOR NS CHIPSETS MODEL NO : HA-138D

FEATURE:

RoHS Compliant

RoHS peak solder rating 260

Designed to meet IR requirement

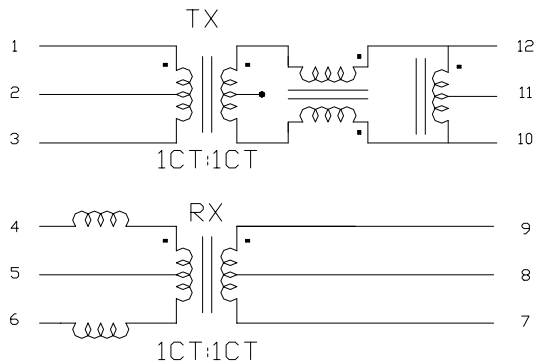
Specifications @ 25

Operating temp. : -40 ~ +85

OCL : 350uH Min @100Khz , 100mV 8mA

| Part Number | Insertion Loss 0.1 to 125 MHz (dB MAX) | Cross talk (dB MIN) | | Return Loss 5 to 100 MHz (dB MIN) | | Common Mode Rejection (dB MIN) | | Hi pot VAC |
|-------------|--|------------------------|-----------|--------------------------------------|-----------|-----------------------------------|-----------|---------------|
| | | 1-60MHz | 60-100MHz | 1-60MHz | 60-100MHz | 1-60MHz | 60-100MHz | |
| HA-138D | -1.0 | -40 | -38 | -15 | -14 | -35 | -32 | 1500 |

SCHEMATICS:



DIMENSION: mm TOLERANCE:±0.25

