



NO: RD-HA-SD139D  
 DATE: 2005/09/16 I (REV:A2)

**10/100 BASE TRANSFORMERS FOR AUTO  
 MDI/MDIX APPLICATIONS  
 DESIGNED FOR NS CHIPSETS  
 MODEL NO : HA-139D**

**FEATURE:**

**RoHS Compliant**

**RoHS peak solder rating 260**

**Designed to meet IR requirement**

**Specifications @ 25**

**Operating temp. : -40 ~ +85**

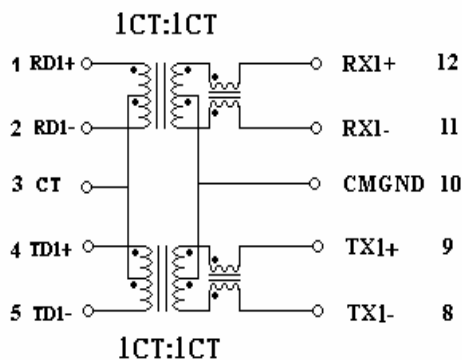
**Turn Ratio Tx : 1CT : 1CT , Turn Ratio Rx : 1CT : 1CT**

**OCL : 350 uH 8 Ma ; Cw/w : 50 pF (Typ) ; Pri. Resistance : 0.9 Ω (Max)**

**OCL : 350uH Min @100Khz , 100mV 8mA**

Parts no.	Insertion Loss (dB Max) 1~100MHz	Rise Time (ns Max)	Return Loss (dB Min)				DCMR (dB min)	Cross talk (dB min)	Hi pot VAC
			MHz				MHz	MHz	
			0.5~30	40	60	80	0.1~100	0.1~100	
HA-139D	-1.1	5.0	-18	-14	-12	-10	-30	-35	1500 VAC

**SCHEMATICS:**



**DIMENSION : mm**

**TOLERANCE:±0.25**

