

## 10/100 PC CARD LAN MAGNETICS SOLUTIONS MODEL NO.: HD-024A

### FEATURE:

RoHS Compliant

DESIGNED TO MEET IR REQUIREMENT

ENVIRONMENTAL: At 260 IN 1 MINUTE

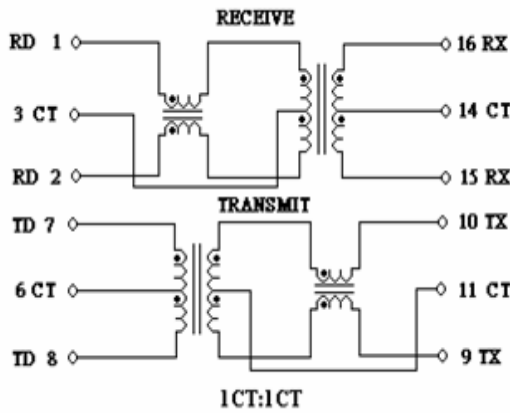
SPECIFICATIONS:AT 25

Operating temp : -40 to +85

OCL : 350uH MIN 100KHz,100mV 8mA VDC

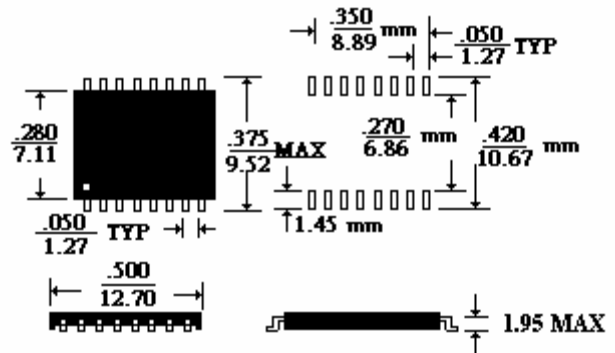
Part Number	Transformer Turns ratio (±5 %)		Insertion Loss 100KHz-100MHz (dB MIN)	Return loss (dB MAX)				Cross talk (dB MAX)			Common Mode Rejection (dB MAX) 100kHz-100MHz	Hi pot
	Transmit	Receive		1-30MHz	40MHz	50MHz	60-80MHz	30MHz	62MHz	100MHz		
HD-024A	1:1	1:1	-1.0	-18	-15	-13	-12	-50	-45	-40	-40	1500

### SCHEMATICS:

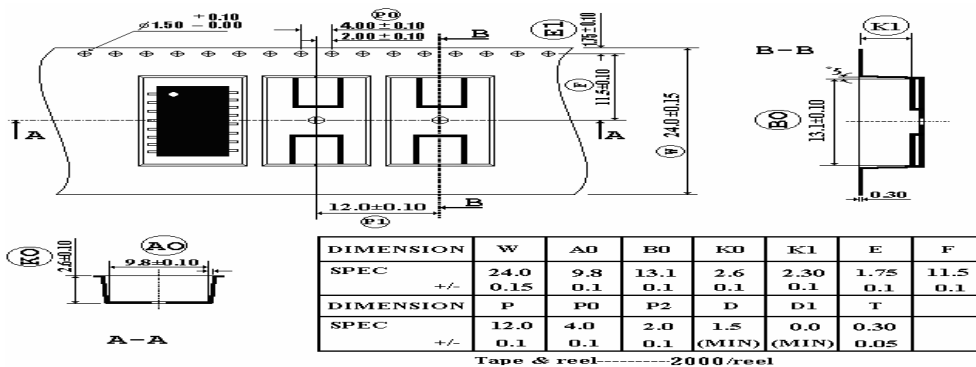


### DIMENSIONS: mm

TOLERANCE:±0.25

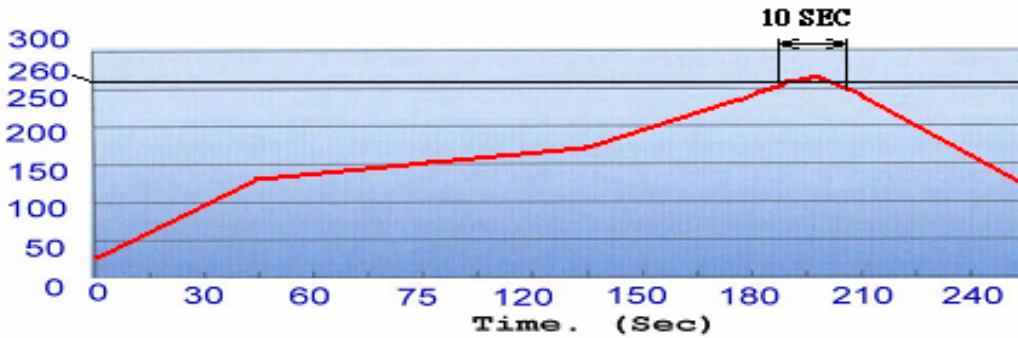


### Packing :



## MODEL NO.: HD-024A

### Profile of IR Reflow (Lead Free)



PACKING	
1.	Tape & Reel: 2000 pcs / Reel, 10000 pcs / Carton
2.	Dry Pack: 1 pc. Product Description: 5g Silica Gel Desiccant PH: 4-8 Package Materials: Paper (Length 6.5±1cm, Width 5±1cm)
3.	Reel: Vacuum Packed
4.	Seal as per JEDEC

