



Number: RD-Pulse H0037
 DATE: 2005/09/20 I (REV:A1)

10/100 PC CARD LAN MAGNETICS SOLUTIONS

MODEL NO.: HD-041

FEATURE:

RoHS Compliant

RoHS peak solder rating 260

Designed to meet IR requirement

Specifications : AT 25

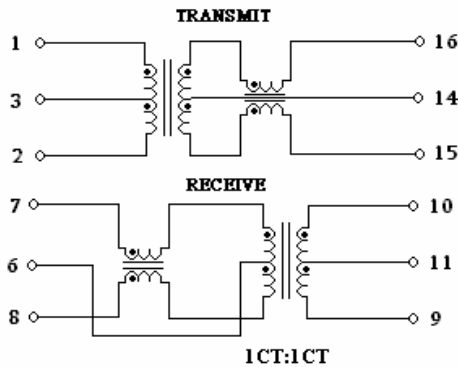
Operating temp. : -40 ~ +85

OCL : 350uH Min @100Khz , 100mV 8mA

CWW : 25

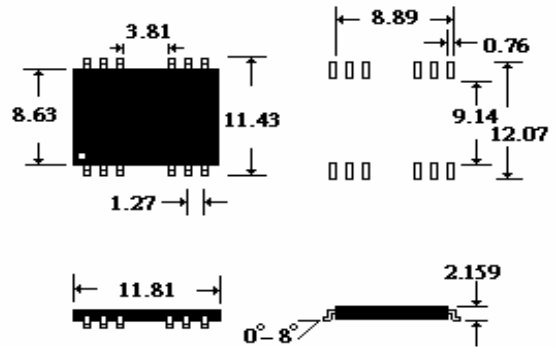
Part Number	transformer Turns ratio Transmit Receive (±5 %)	DCR ΩMAX			Insertion Loss 100KHz-100MHz (dB MAX)	Return loss (dB MIN)MHz			Cross talk (dB MIN)MHz			Common Mode Rejection (dB MIN)MHz			HIPOT MIN
		16-15	10-9	1-2		30	60	80	30	62	100	30	60	100	
HD-041	1CT::1CT 1CT::1CT	1.6	0.7	1.0	-1.0	-16	-12	-10	-40	-35	-30	-40	-40	-35	1500V

SCHEMATICS:

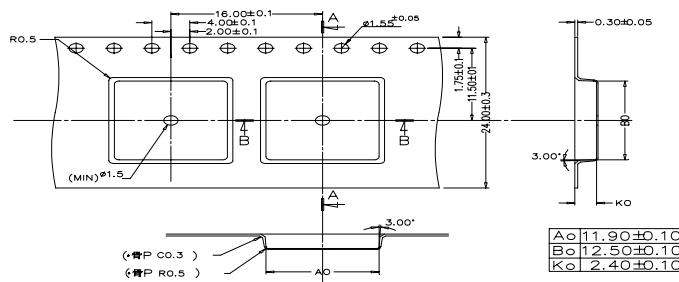


DIMENSION: mm

TOLERANCE: ±0.25

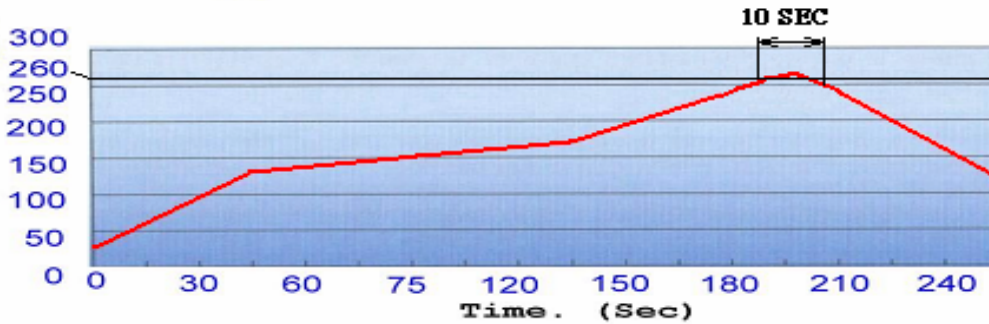


Packing :



MODEL NO : HD-041

Profile of IR Reflow (Lead Free)



PACKING

1. Tape & Reel: 2000 pcs / Reel, 10000 pcs / Carton
2. Dry Pack: 1 pc.
 Product Description: 5g Silica Gel Desiccant
 PH: 4-8
 Package Materials: Paper (Length 6.5±1cm, Width 5±1cm)
3. Reel: Vacuum Packed
4. Seal as per JEDEC

