



NO: RD-HD-SD042
DATE: 2005/09/20 I (REV:A1)

10/100 PC CARD LAN MAGNETICS SOLUTIONS

MODEL NO.: HD-042

FEATURE:

RoHS Compliant

RoHS peak solder rating 260

Designed to meet IR requirement

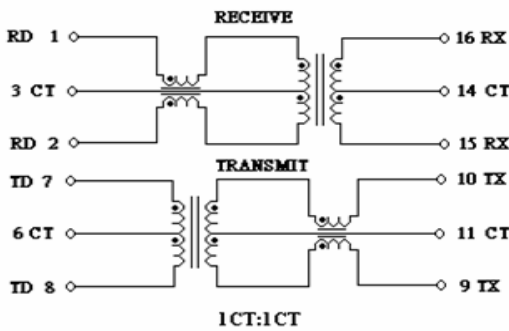
Specifications : AT 25

Operating temp. : -40 ~ +85

OCL : 350uH Min @100Khz , 100mV 8mA

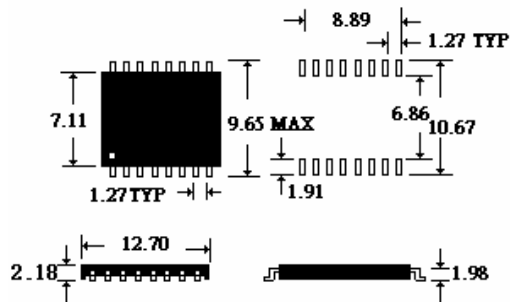
Part Number	Transformer Turns ratio (±5 %)		Insertion Loss 100KHz-100MHz (dB MAX)	Return loss (dB MIN)				Cross talk (dB MAX)			Common Mode Rejection (dB MAX) 100kHz-100MHz	Hi pot
	Transmit	Receive		1-30MHz	40MHz	50MHz	60-80MHz	30MHz	62MHz	100MHz		
HD-042	1:1	1:1	-1.0	-18	-14	-13	-11	-50	-45	-40	-40	1500

SCHEMATICS:

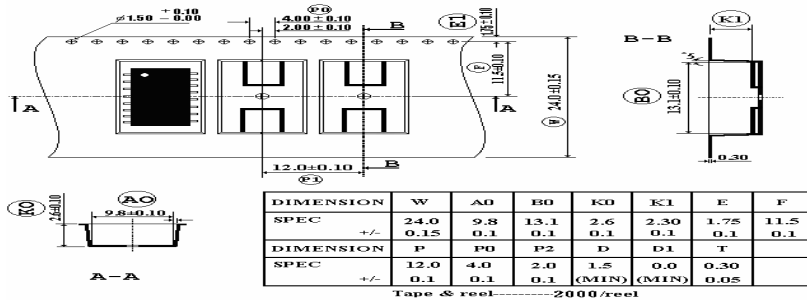


DIMENSIONS: mm

TOLERANCE:±0.25



Packing :

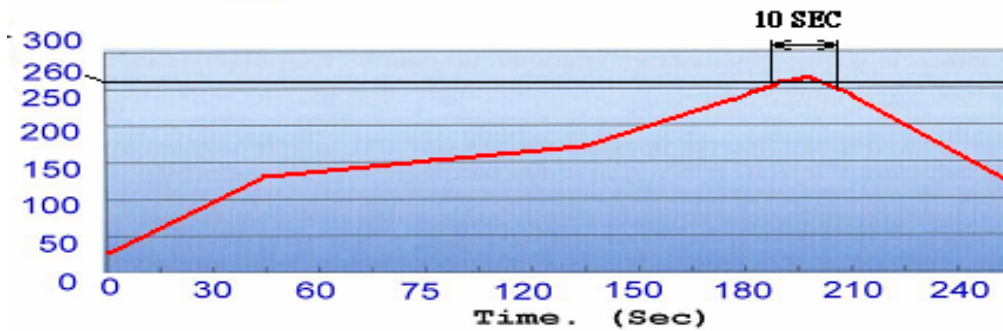




NO: RD-HD-SD042
DATE: 2005/09/20 I (REV:A1)

MODEL NO.: HD-042

Profile of IR Reflow (Lead Free)



PACKING

1. Tape & Reel: 2000 pcs / Reel, 10000 pcs / Carton
2. Dry Pack: 1 pc.
Product Description: 5g Silica Gel Desiccant
PH: 4-8
Package Materials: Paper (Length 6.5±1cm, Width 5±1cm)
3. Reel: Vacuum Packed
4. Seal as per JEDEC

