



Number: RD-HYT-0043
 DATE: 2005/9/20 I (REV:A1)

10/100 BASE PC CARD LAN TRANSFORMERS

MAGNETICS SOLUTIONS

MODEL NO.: HD-048

FEATURE:

RoHS Compliant

RoHS peak solder rating 260

Designed to meet IR requirement

Specifications : AT 25

Operating temp. : -40 ~ +85

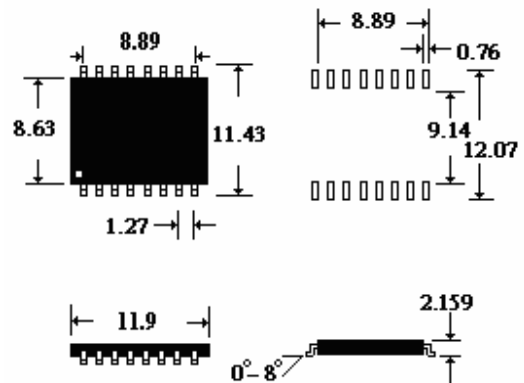
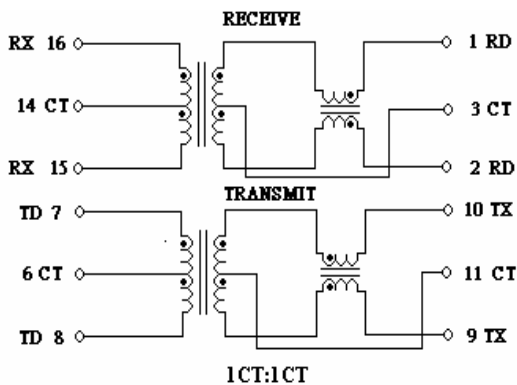
OCL : 350uH Min @100Khz , 100mV 8mA

Part Number	Turns Ratio (±5%)	Insertion Loss (dB MAX)	Return Loss (dB MIN)			DCMR (dB MIN.)			Cross Talk (dB MIN)			HIPOT (VAC)
			30	60	80 MHz	30	50	100 MHz	30	50	100 MHz	
HD-048	TX/RX	0.3~125 MHz	30	60	80 MHz	30	50	100 MHz	30	50	100 MHz	1500
	1CT:1CT	-1.0	-18	-14	-12	-40	-35	-30	-50	-45	-40	

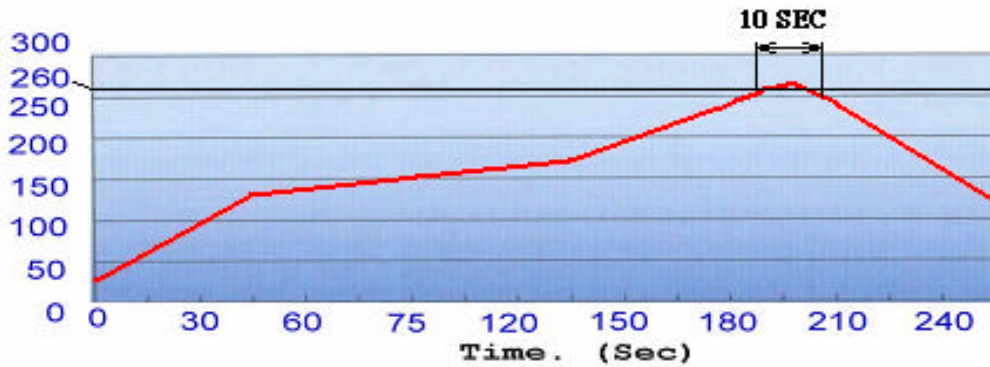
SCHEMATICS:

DIMENSION: mm

TOLERANCE:±0.25



MODEL NO.: HD-048 Profile of IR Reflow (Lead Free)



PACKING

1. Tape & Reel: 2000 pcs / Reel, 10000 pcs / Carton
2. Dry Pack: 1 pc.
Product Description: 5g Silica Gel Desiccant
PH: 4-8
Package Materials: Paper (Length 6.5±1cm, Width 5±1cm)
3. Reel: Vacuum Packed
4. Seal as per JEDEC

