



NO: RD-SINKA-LT022S
 DATE: 2005/09/20 I (REV:A1)

10/100 PC CARD LAN MAGNETICS SOLUTIONS

MODEL NO.: HD-049

FEATURE:

RoHS Compliant

RoHS peak solder rating 260

Designed to meet IR requirement

Specifications : AT 25

Operating temp. : -40 ~ +85

OCL : 350uH Min @100Khz , 100mV 8mA

HI POT : 1500VRMS.

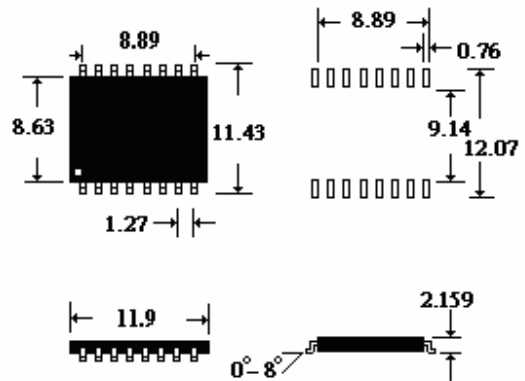
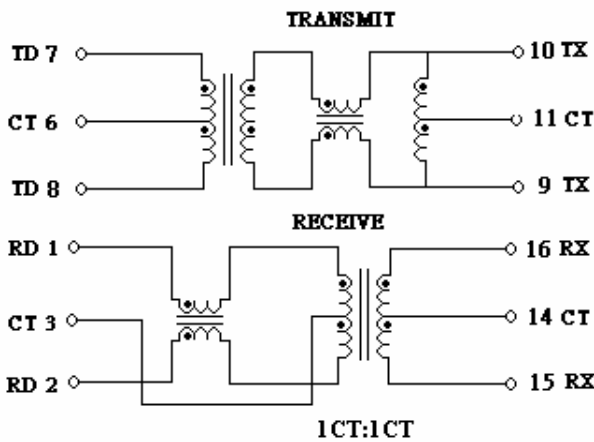
TX/RX(±5%) : 1CT:1CT

Part Number	Insertion Loss 300KHz-100MHz (dB MAX)	Return loss (dB MAX)				Cross talk (dB MAX)				Diff. TO CMRR (dB MIN)			
		1-30	30-60	60-80	80-100MHz	1-30	30-60	60-100	100-150MHz	1-30	30-60	60-80	80-100MHz
HD-049	-1.2	-18	-14	-12	-10	-50	-45	-40	-30	-18	-14	-12	-10

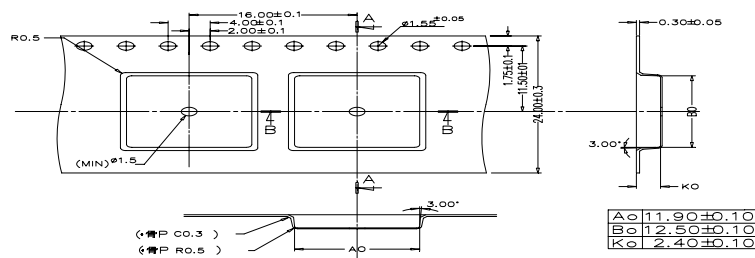
SCHEMATICS:

DIMENSION: mm

TOLERANCE:±0.25

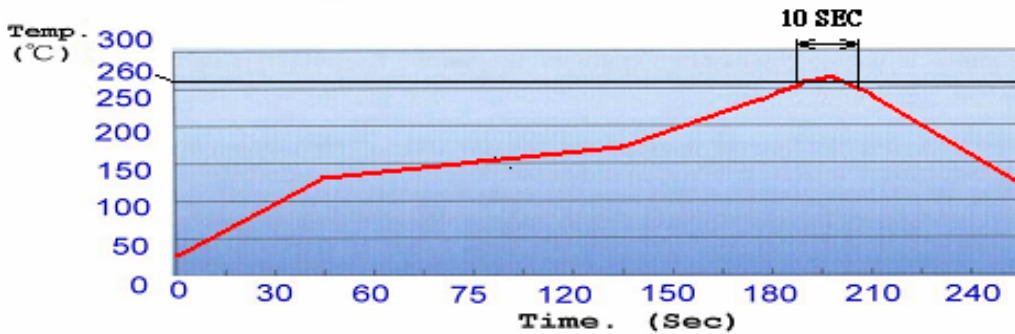


PACKAGING:



MODEL NO.: HD-049

Profile of IR Reflow (Lead Free)



PACKING

1. Tape & Reel: 2000 pcs / Reel, 10000 pcs / Carton
2. Dry Pack: 1 pc.
Product Description: 5g Silica Gel Desiccant
PH: 4-8
Package Materials: Paper (Length 6.5±1cm, Width 5±1cm)
3. Reel: Vacuum Packed
4. Seal as per JEDEC

