



NO:RD-HD-SD053  
DATE: 2005/09/20- I (REV:A3)

# 10/100 PC CARD LAN MAGNETICS SOLUTIONS

## MODEL NO.: HD-053

### FEATURE:

RoHS Compliant

RoHS peak solder rating 260

Designed to meet IR requirement

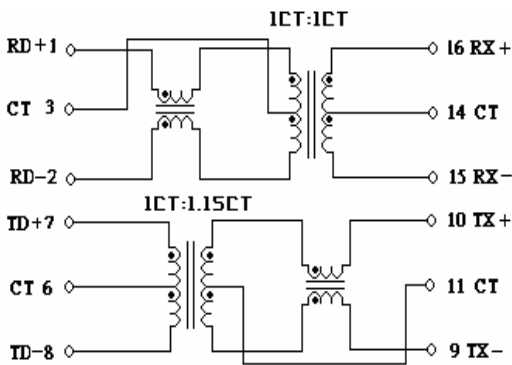
Specifications : AT 25

Operating temp. : -40 ~ +85

OCL : 350uH MIN PIN(1-2,9-10,15-16) ,250uH MIN PIN(7-8) 100KHz,100mV,8mA DC

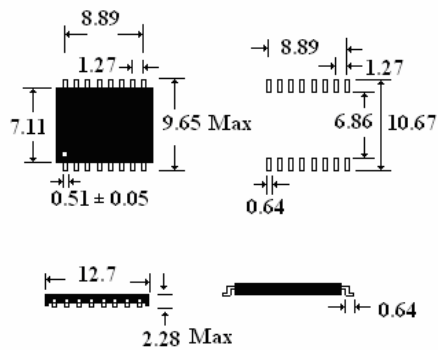
Part Number	Turns Ratio		Insertion Loss 0.1~100MHZ (dB MAX)	Return loss (dB MIN)			Cross talk (dB MIN)			CMRR (dB TYP)			Hi pot (Vrms Min)
	TX	RX		30MHZ	50MHZ	80MHZ	30MHZ	60MHZ	100MHZ	30 MHZ	60 MHZ	100 MHZ	
HD-053	1:1.15	1:1	-1.0	-16	-12	-11	-50	-45	-33	-30	-30	-30	1500

### SCHEMATICS:

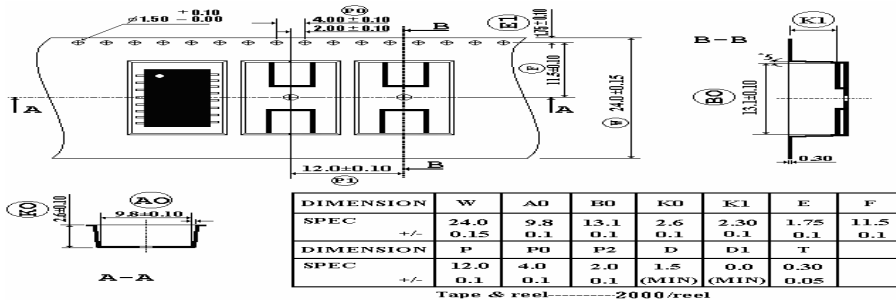


### DIMENSION: mm

TOLERANCE: ±0.25

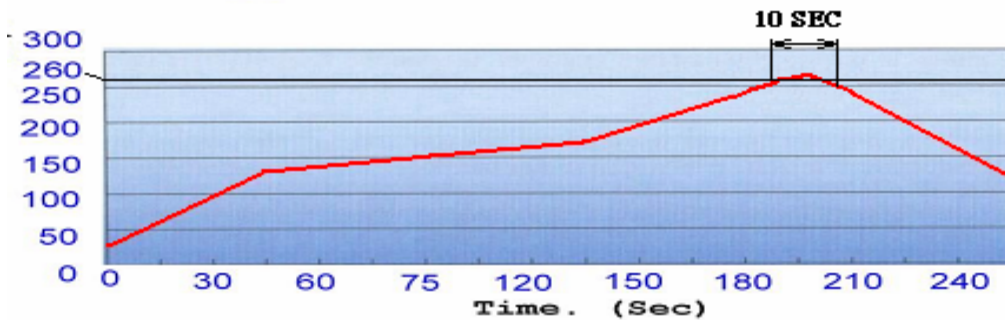


### Packing :



## MODEL NO.: HD-053

### Profile of IR Reflow (Lead Free)



### PACKING

1. Tape & Reel: 2000 pcs / Reel, 10000 pcs / Carton
2. Dry Pack: 1 pc.  
 Product Description: 5g Silica Gel Desiccant  
 PH: 4-8  
 Package Materials: Paper (Length 6.5±1cm, Width 5±1cm)
3. Reel: Vacuum Packed
4. Seal as per JEDEC

