



NO:RD-BEL-FT20-201B
 DATE:2005/9/19 I (REV:A1)

10/100 BASE-T QUAD SMT TRANSFORMER

MODEL NO.: HF-003D

FEATURE:

RoHS Compliant

Specifications : AT 25

Operating temp. : -40 ~ +85

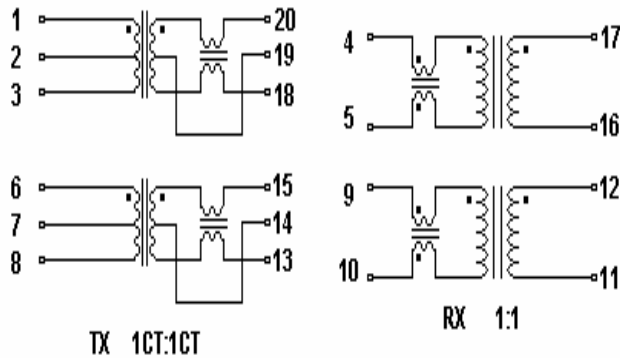
OCL (uH MIN) 350uH Min @100Khz , 100mV 8mA

Cww (pF MAX) 20

LL (uH MAX) 0.30

Part Number	Transformer Turns ratio ($\pm 2\%$)		Insertion Loss (dB TYP) 1-100MHz	Cross talk (dB TYP)				Return loss 5 to 100 MHz (dB MIN)		Common Mode Rejection (dB MIN)		Hi pot VAC
	Receive	Transmit		1MHz	30MHz	60MHz	100MHz	1-60MHz	60-100MHz	1-60MHz	60-100MHz	
HF-003D	1:1	1CT:1CT	-5	-65	-55	-45	-35	-15	-12	-40	-30	1500

SCHEMATICS:



DIMENSION: mm
TOLERANCE:±0.25

