



NO:RD-HF-SD019D
Date:2005/09/23 I (REV:A2)

**10/100 BASE-T DUAL DIP FOR AUTO TRANSFORMER
TP/PMD AND 155MBPS ATM
MODEL NO.: HF-019D**

FEATURE:

RoHS Compliant

Specifications : AT 25

Operating temp. : -40 ~ +85

OCL (uH MIN) 350uH Min @100Khz , 100mV 8mA

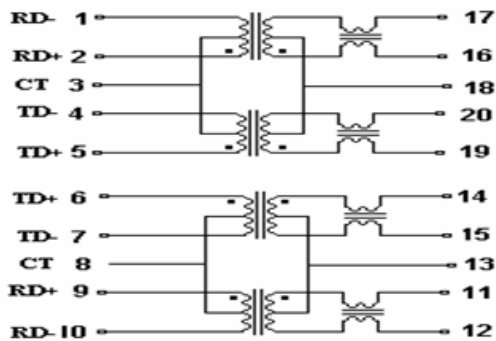
Cww (pF MAX) 50

LL (uH MAX) 0.5

DCR(ΩMAX) 0.9

Part Number	Transformer Turns ratio (±2%) Receive Transmit	Insertion Loss (dB TYP) 1-100MHz	Crosstalk (dB TYP) 0.1-100MHz	Return loss (dB MIN)			Common (dB) 0.1-100MHz	Hipot VAC
				1-30MHz	30-60MHz	60-80MHz		
HF-019D	1CT:1CT 1CT:1CT	-1.15	-38	-18	-14	-12	-40	1500

SCHEMATICS:



DIMENSION: mm

TOLERANCE:±0.25(0.010)

