



NO:RD-Mingtek:HN2064C
Date:2005/09/20-I (REV:A1)

**10/100 BASE-T DUAL DIP FOR AUTO TRANSFORMER
TP/PMD AND 155MBPS ATM
MODEL NO.: HF-023D**

FEATURE:

RoHS Compliant

SPECIFICATIONS:AT 25

Operating temperature : -40 ~+85

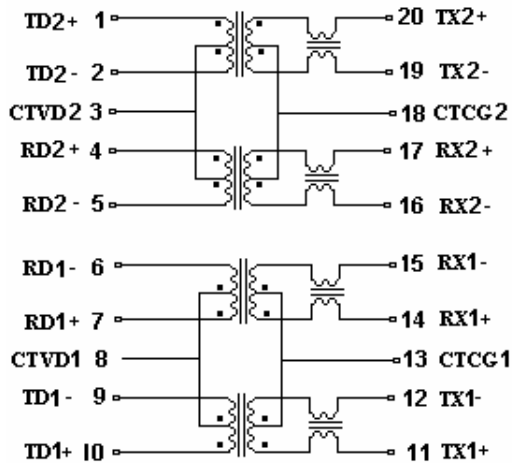
OCL (uH MIN) 350uH Min @100Khz , 100mV 8mA

Cww (pF TYP) 50

DCR(ΩMAX) 0.9

Part Number	Transformer Turns ratio (±5 %)	Insertion Loss (dBMAX) 1-100MHz	Crosstalk (dB MIN) 0.1-100MHz z	Return loss (dB MIN) MHz				Common (dB) 0.1-100MHz	Hipot VAC
				0.5-30	40	50	60-80		
HF-023D	RX.1CT:1CT TX.1CT:1CT	-1.1	-38	-18	-15	-13	-11	-40	1500

SCHEMATICS:



DIMENSION: mm

TOLERANCE: ±0.25

