



NO:RD-XFMRS Inc XFVOIP-03
Date:2005/09/28-I (REV:A1)

10/100/ BASE DUAL MAGNETICS MODULES

MODEL NO.: HH-010

FEATURES:

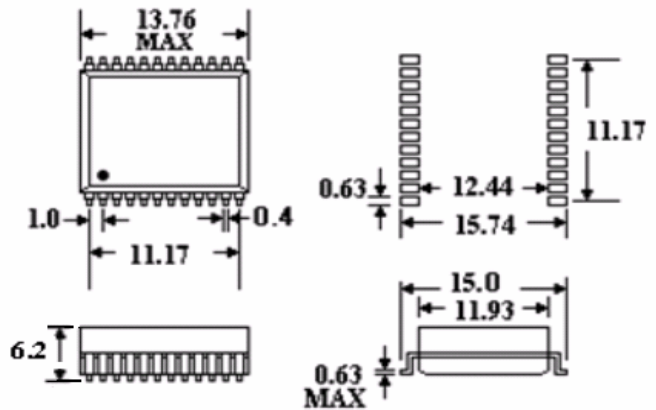
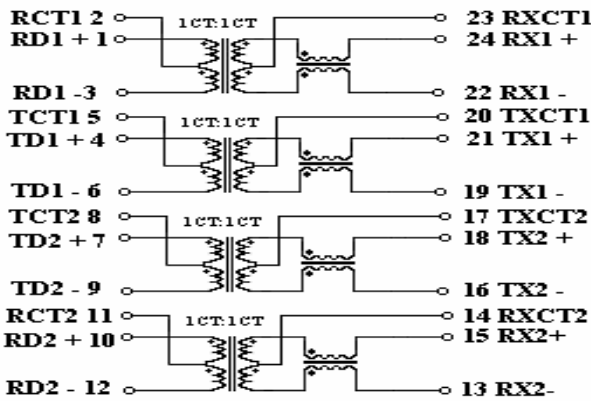
- RoHS Compliant
- RoHS peak solder rating 260
- Design to meet IR requirement
- Operating Temperature: 0 TO +70
- Specifications @ 25

Part Number	Turns Ratio ($\pm 3\%$)		OCL uH. 8mA (MIN)	Insertion Loss (dB MAX)	Cross Talk (dB MIN)			Return Loss (dB MIN)				Common Mode Rejection (dB MIN)			HIPOT (VAC)
	TX	RX			1~100MHz	30	60	100MHz	1~30	40	50	60~80MHz	30	60	
HH-010	1CT: 1CT	1CT: 1CT	350	-1.2	-45	-40	-35	16	14	13	12	-50	-43	-35	1500
	1CT: 1CT	1CT: 1CT		1~100MHz	30	60	100MHz	1~30	40	50	60~80MHz	30	60	100 MHz	

SCHEMATICS:

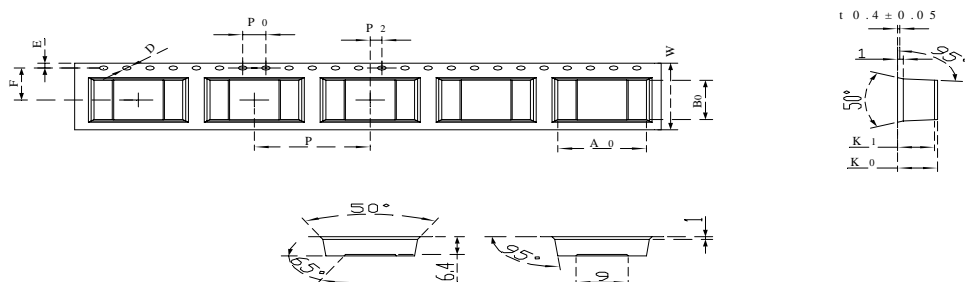
DIMENSION: mm

TOLERANCE: ± 0.25



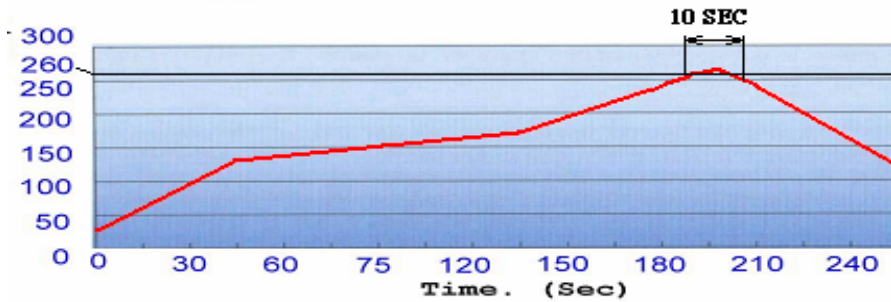
Packing :

ITEM	W	A ₀	B ₀	K ₀	K ₁	P	E	F	D	D ₁	P ₀	P ₂
DIM	2.4 ^{+0.3} _{-0.3}	15.3 ^{+0.1} _{-0.1}	14.1 ^{+0.1} _{-0.1}	6.9 ^{+0.1} _{-0.1}	6.4 ^{+0.1} _{-0.1}	2.0 ^{+0.1} _{-0.1}	1.75 ^{+0.1} _{-0.1}	11.5 ^{+0.1} _{-0.1}	1.5 ^{+0.1} _{-0.0}	0.0 ^{+0.25} _{-0.0}	4.0 ^{+0.1} _{-0.1}	2.0 ^{+0.1} _{-0.1}



MODEL NO.: HH-010

Profile of IR Reflow



PACKAGING

1. Tape & Reel: 400pcs / Reel , 2000pcs / Carton
2. Dry Pack: 1 pc
3. Product Description: 5g Silica Gel Desiccant
PH: 4-8
Package Materials: Paper(Length 6.5±1cm , Width 5±1cm)
4. Reel – Vacuum Packed
5. Seal as per Jedec

