



NO:RD-Pulse H2006A  
Date:2005/09/28 I (REV:A3)

# 10/100/ BASE VOICE OVER IP MAGNETICS MODULES MODEL NO.: HH-016

## FEATURES:

RoHS compliant

RoHS peak solder rating 260

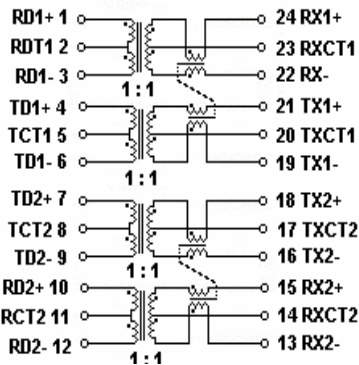
Design to meet IR requirement

Operating Temperature: 0 TO +70

Specifications @ 25

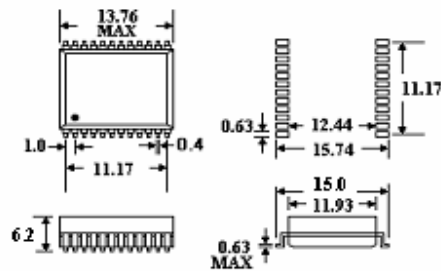
Part Number	OCL uH, 8mA (MIN)	Insertion Loss (dB MIN)	Cross Talk (dB MIN)	Return Loss (dB MIN)	Differential to Common Mode Rejection (dB MIN)	HI-POT (Vrms)
HH-016	350	1 to 100 MHz	30 60 100MHz	1-30 40 50 60-80	30 60 100 MHz	1500
		-1.2	-43 -37 -31	-16 -14 -13 -12	-43 -37 -33	

## SCHEMATICS:



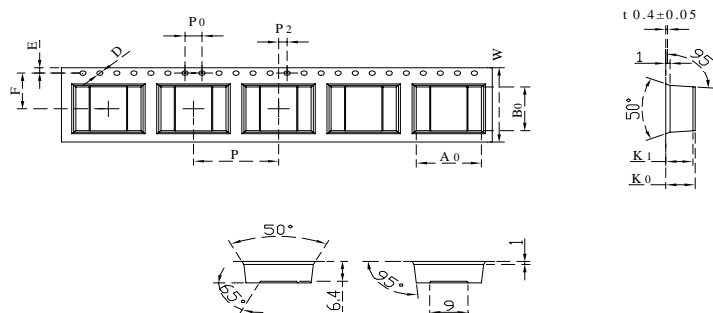
## DIMENSION: mm

TOLERANCE: ±0.25

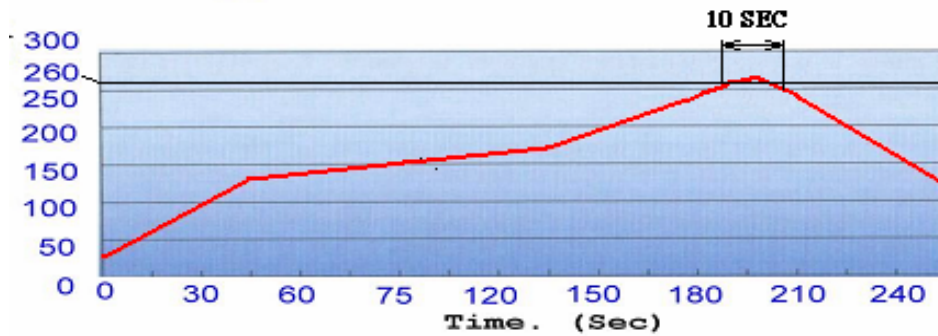


## Packing:

ITEM	W	A0	B0	K0	K1	P	E	F	D	D1	P0	P2
DIM	24 <sup>+0.3</sup> <sub>-0.3</sub>	15.3 <sup>+0.1</sup> <sub>-0.1</sub>	14.1 <sup>+0.1</sup> <sub>-0.1</sub>	6.9 <sup>+0.1</sup> <sub>-0.1</sub>	6.4 <sup>+0.1</sup> <sub>-0.1</sub>	20 <sup>+0.1</sup> <sub>-0.1</sub>	1.75 <sup>+0.1</sup> <sub>-0.1</sub>	1.5 <sup>+0.1</sup> <sub>-0.1</sub>	1.5 <sup>+0.1</sup> <sub>-0.1</sub>	0.0 <sup>+0.25</sup> <sub>-0.0</sub>	4.0 <sup>+0.1</sup> <sub>-0.1</sub>	2.0 <sup>+0.1</sup> <sub>-0.1</sub>



## MODEL NO.: HH-016 Profile of IR Reflow (Lead Free)



### PACKING

1. Tape & Reel : 400pcs / Reel , 2000pcs / Carton
2. Dry Pack : 1pcs  
Product Description:(5g Silica Gel Desiccant)  
PH: 4-8  
Package Materials: Paper(Length 6.5±1cm , Width 5±1cm)
3. Reel Packed By Vacuum
4. Seal Per Jedec

