



NO:RD-HH-SDH1174A
Date:2005/09/29-I (REV:A1)

10/100 BASE-TX DUAL PORT MAGNETICS MODULES

MODEL NO.: HH-022

FEATURES:

RoHS Compliant

RoHS peak solder rating 260

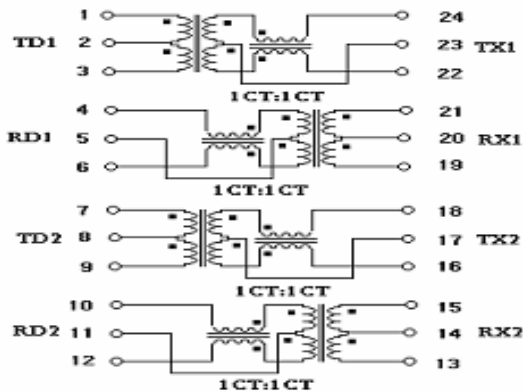
DESIGNED TO MEET IR REQUIREMENT

Operating temp. : 0 TO +70

SPECIFICATIONS: AT 25

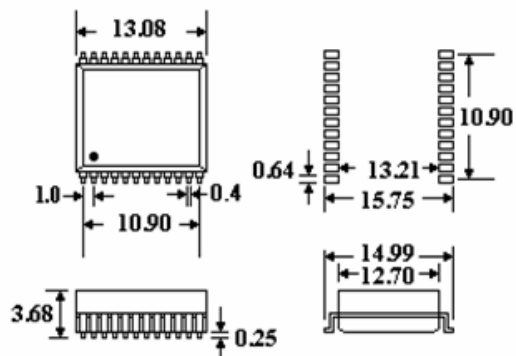
Part Number	Turns Ratio (±3%)	OCL uH. 8mA (MIN)	Insertion Loss (dB TYP)	Cross Talk (dB TYP)				Return Loss (dB MIN)				Common Mode Rejection (dB TYP)		HIPOT (VAC)
				1	30	60	100MHz	2~30	40	50	60~80MHz	1-60	60-200 MHz	
HH-022	TX/RX	350	1~100MHz	1	30	60	100MHz	2~30	40	50	60~80MHz	1-60	60-200 MHz	1500
	1CT:1CT		-1.2	-60	-45	-40	-35	-18	-16	-14	-12	-45	-35	

SCHEMATICS:

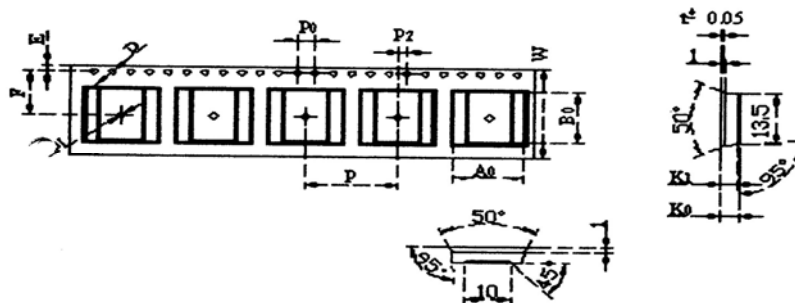


DIMENSION: mm

TOLERANCE: ±0.25



Packing :

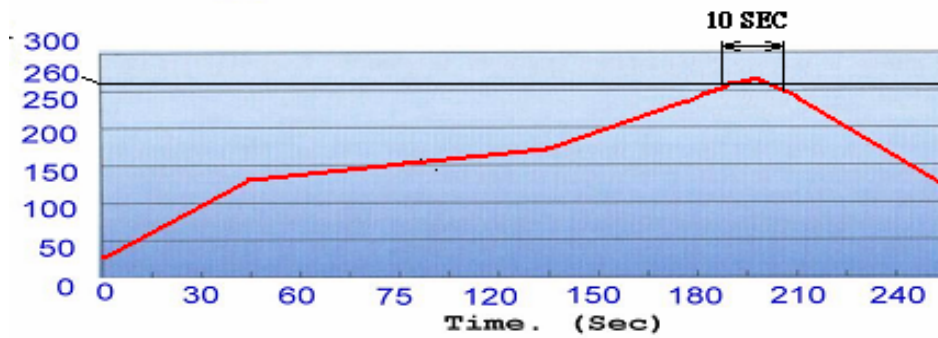




NO:RD-HH-SDH1174A
Date:2005/09/29-I (REV:A1)

MODEL NO. : HH-022

Profile of IR Reflow (Lead Free)



PACKING

1. Tape & Reel : 400pcs / Reel , 2000pcs / Carton
2. Dry Pack : 1pcs
Product Description:(5g Silica Gel Desiccant)
PH: 4-8
Package Materials: Paper(Length 6.5±1cm , Width 5±1cm)
3. Reel Packed By Vocumm
4. Seal Per Jedec

