



NO: RD-HH-SD023
 DATE: DATE: 2005/12/14 S(REV:A1)

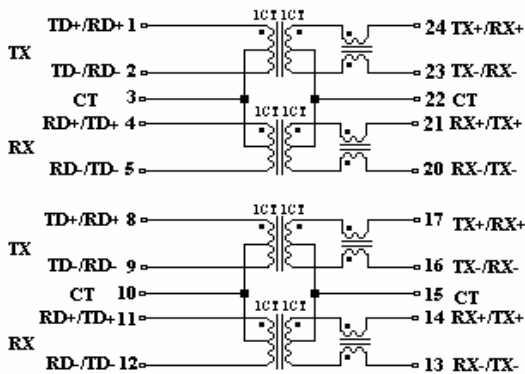
10/100 BASE-TX TRANSFORMERS FOR AUTO MDI/MDIX APPLICATIONS MODEL NO.:HH-023

RoHS Compliant
 RoHS peak solder rating 260
 DESIGNED TO MEET IR REQUIREMENT
 Operating temp. : 0 TO + 70
 SPECIFICATIONS: AT 25

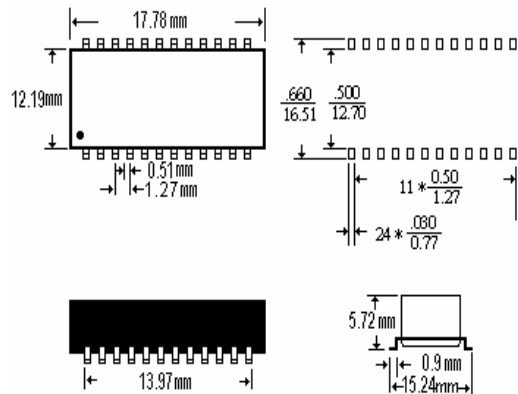
Turns Ratio 1CT : 1CT (±2 %)
 OCL (uH MIN) 350 100KHz, 100mV

Part Number	Insertion Loss (dB TYP) 1-100MHz	Return loss (dB MIN @100Ω) 1~100 MHz				Common Mode Rejection (dB MIN) 1~100 MHz			Cross talk (dB MIN) 1~100 MHz			Hi pot VAC
		1-30	40	50	60-80	30MHz	60MHz	100MHz	30MHz	60MHz	100MHz	
HH-023	-1.0	-16	-14	-13	-12	-43	-37	-33	-45	-40	-35	1500

SCHEMATICS:



DIMENSION:mm TOLERANCE:±0.25



Profile of IR Reflow (Lead Free)

