



NO: RD-HH-SD026
 DATE: 2005/12/14 S(REV:A1)

10/100 BASE-T MODULES

MODEL NO.: HH-026

FEATURE:

RoHS Compliant

RoHS peak solder rating 260

DESIGNED TO MEET IR REQUIREMENT

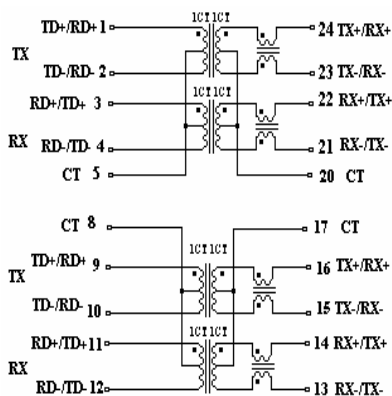
Operating temp. : 0 TO + 70

SPECIFICATIONS: AT 25

OCL:350 uH @100KHz,100mV /8mA DC bias

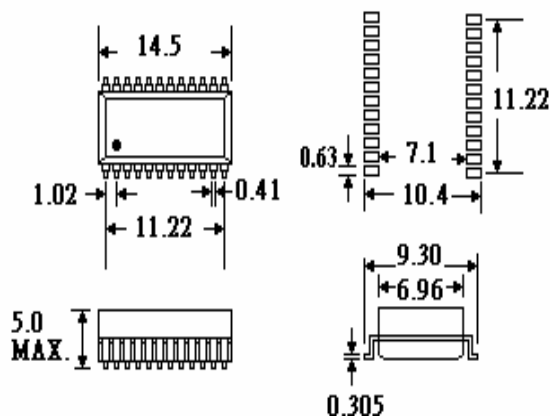
Part Number	Insertion Loss (dB MAX)			Return Loss (dB Min @100Ω)				Differential to Common Mode Rejection (dB MIN)				Cross talk (dB MIN)			CMRR (dB MIN)
	1-65	65-100	100-125	1-40	60	80	100	1	30	50	100	1-40	60	100	
HH-026	MHz			MHz				MHz				MHz			1-80 MHz
	-1	-1.1	-1.5	-18	-15	-12	-10	-60	-40	-35	-30	-40	-35	-30	

SCHEMATICS:



DIMENSION:

TOLERANCE:mm(±0.25)



Profile of IR Reflow (Lead Free)

