



NO:RD-HH-SD030
Date:2005/09/29-I (REV:A1)

10/100 BASE-TX DUAL PORT MAGNETICS MODULES

MODEL NO.: HH-030

Cross Reference No. LF-H5452S

FEATURES:

RoHS Compliant

RoHS peak solder rating 260

DESIGNED TO MEET IR REQUIREMENT

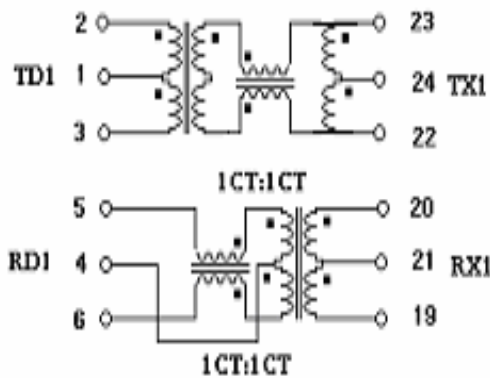
Operating temp. : 0 ~ +70

SPECIFICATIONS: AT 25

DCR:0.7 Ohms MAX. ; CWW: 25Pf Typical ; LL: 0.5 uH

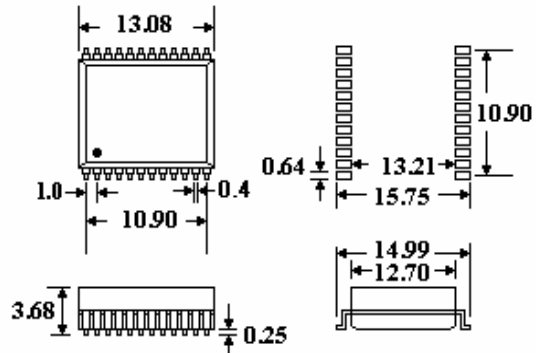
Part Number	Turns Ratio ($\pm 3\%$)	OCL uH. 8mA (MIN)	Insertion Loss (dB TYP)	Cross Talk (dB TYP)	Return Loss (dB MIN)			Common Mode Rejection (dB TYP)		HIPOT (VAC)
					1~30	40~50	60~80MHz	1-60	60-100 MHz	
HH-030	TX/RX	350	1~100MHz	1~100MHz	1~30	40~50	60~80MHz	1-60	60-100 MHz	1500
	1CT:1CT		-1.0	-38	-18	-15	-12	-40	-35	

SCHEMATICS:

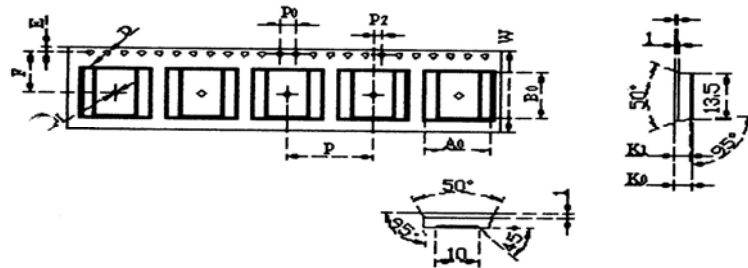


DIMENSION: mm

TOLERANCE: ± 0.25



Packing :

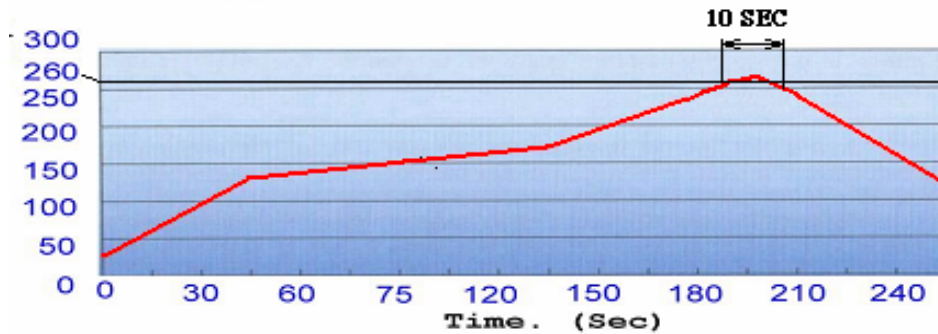




NO:RD-HH-SD030
Date:2005/09/29-I (REV:A1)

MODEL NO. : HH-030

Profile of IR Reflow (Lead Free)



PACKING

1. Tape & Reel : 400pcs / Reel , 2000pcs / Carton
2. Dry Pack : 1pcs
Product Description:(5g Silica Gel Desiccant)
PH: 4-8
Package Materials: Paper(Length 6.5±1cm , Width 5±1cm)
3. Reel Packed By Vocumm
4. Seal Per Jedec

