



NUMBER:RD-HH-SD047
Date:2005/11/24-S(REV:A2)

10/100 BASE -TX Dual-Port VoIP Magnetic Module MODEL NO.: HH-047

FEATURE:

RoHS Compliant

RoHS peak solder rating 260

IEEE802.3af compliant performance

Designed to meet IR requirement

OPERATION TEMP : 0 ~70

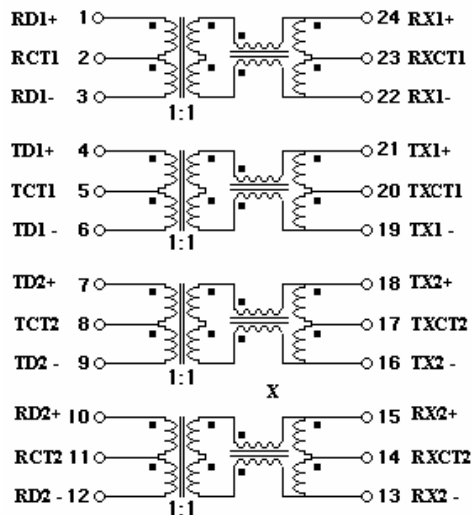
Specifications @ 25

Transformer Turns Ratio = 1CT:1CT ($\pm 3\%$)

OCL : 350 μ H minimum at 100 kHz, 100 mV with 8 mA DC BIAS

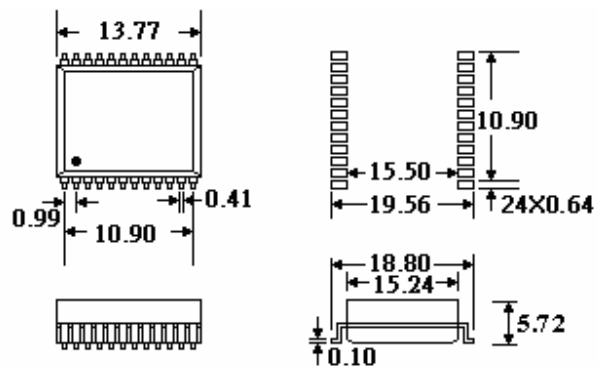
Part Number	Insertion Loss (dB) MHz.MAX	Return loss (dB MIN) MHz.MIN @100				Differential to Common Mode Rejection (dB MIN)			Cross talk (dB MIN)			Isolation Voltage (Vrms min)
		1~30	40	50	60~80	30	60	100	30	60	100	
HH-047	1MHz~100MHz	1~30	40	50	60~80	30	60	100	30	60	100	1500
	-1.1dB	-16	-14	-13	-12	-43	-37	-33	-45	-40	-33	

SCHEMATICS:



DIMENSION: mm

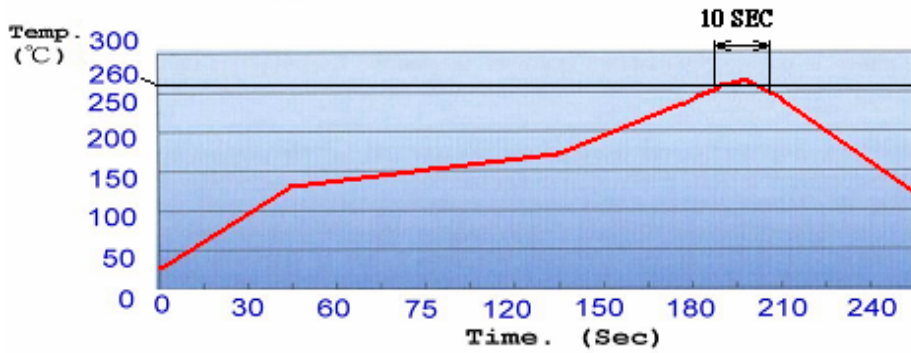
TOLERANCE: ± 0.25





NUMBER:RD-HH-SD047
Date:2005/11/24-S(REV:A2)

Profile of IR Reflow (Lead Free)



PACKING :

1. Tape & Reel : TBD
2. Tube : 37pcs / tube, 1813pcsCarton

