



NO:RD- Pulse H1053
Date:2005/09/14-I (REV:A2)

10/100 BASE QUAD SMT TRANSFORMERS

TP/PMD AND 155MBPS ATM

MODEL NO.: HK-005

FEATURES:

RoHS Compliant

RoHS peak solder rating 260°C

Designed to meet IR requirement

Specifications @ 25°C

Operating temp. : -40°C ~ +85°C

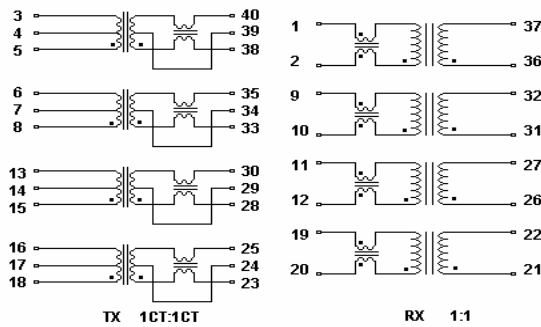
OCL (uH MIN) 350

Cww (pF MAX) 20

LL (uH MAX) 0.30

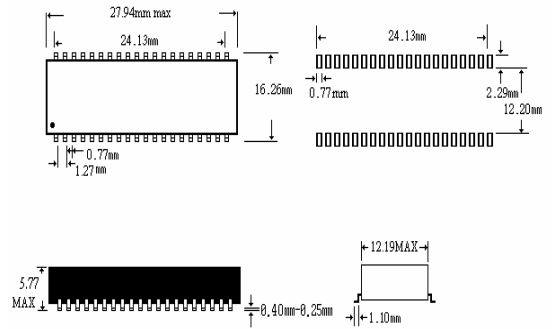
Part Number	Transformer Turns ratio (±2%)		Insertion Loss (dB TYP) 1-100MHz	Crosstalk (dB TYP)				Return loss 5 to 100 Mhz (dB MIN)		Common Mode Rejection (dB MIN)		Hipot VAC
	Receive	Transmit		1MHz	30MHz	60MHz	100MHz	1-60MHz	60-100MHz	1-60	60-100	
HK-005	1:1	1CT:1CT	-5	-65	-55	-45	-35	-15	-12	-40	-30	1500

SCHEMATICS:

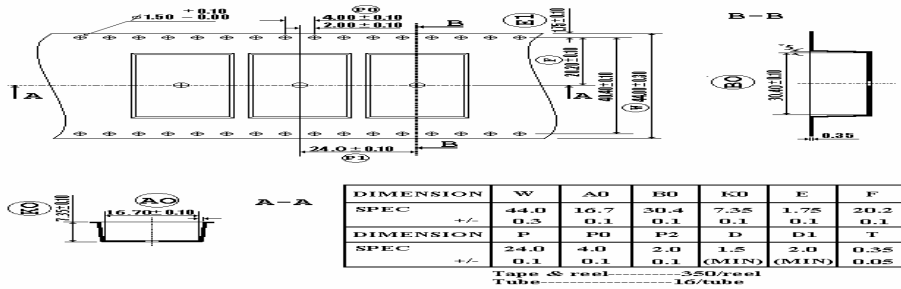


DIMENSION: mm

TOLERANCE: ±0.25



Packing:

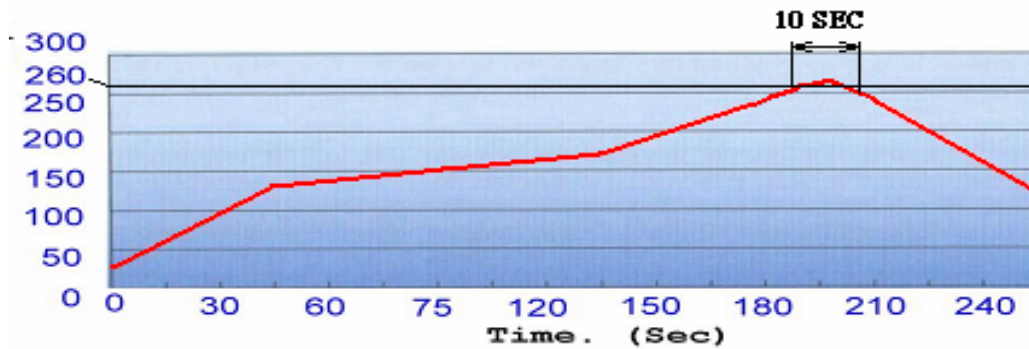




NO:RD- Pulse H1053
Date:2005/09/14-I (REV:A2)

MODEL NO.: HK-005

Profile of IR Reflow (Lead Free)



PACKING

1. Tape & Reel : 350pcs / Reel , 1750pcs / Carton
2. Dry Pack : 1pcs
Product Description:(5g Silica Gel Desiccant)
PH: 4-8
Package Materials: Paper(Length 6.5±1cm , Width 5±1cm)
3. Reel Packed By Vacuum
4. Seal Per Jedec

