



NO:RD-Pulse H1068  
Date:2005/09/14 I (REV:A1)

# 10/100 BASE-TX QUAD PORT TRANSFORMER MODULES MODEL NO.: HK-017

## FEATURE:

RoHS Compliant

RoHS peak solder rating 260°C

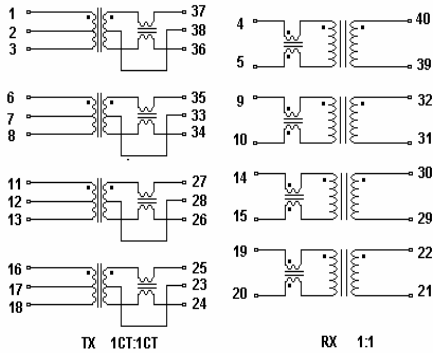
DESIGNED TO MEET IR REQUIREMENT

SPECIFICATIONS:AT 25°C

OCL (uH MIN) 350 8mA

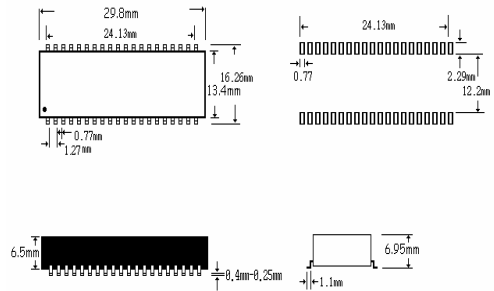
Part Number	Transformer Turns ratio (±2%)		Insertion Loss (dB TYP) 1-100MHz	Crosstalk (dB MIN)				Return loss (dB TYP)				Common Mode Rejection (dB MIN)		Hipot VAC
	Receive	Transmit		1MHz	30MHz	60MHz	100MHz	2-30 MHz	40 MHz	50 MHz	60-80 MHz	1-60	60-100	
HK-017	1:1	1CT:1CT	-0.5	-60	-50	-40	-35	-21	-17	-14.5	-12	-40	-30	1500

## SCHEMATICS:

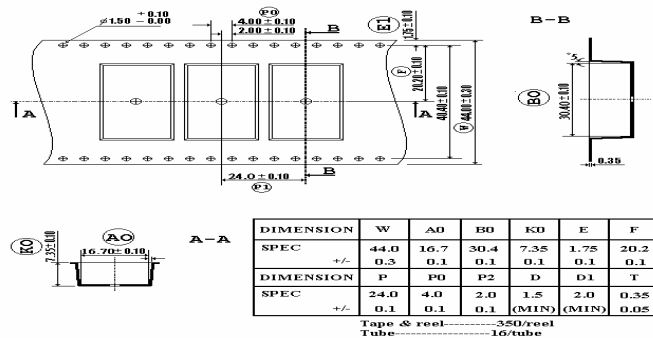


## DIMENSION: mm

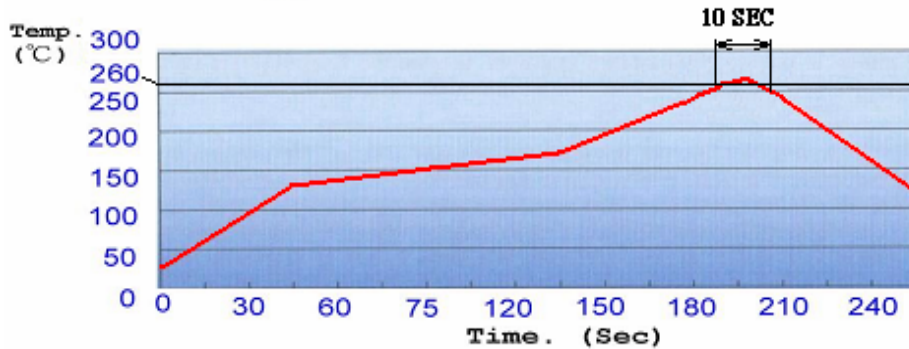
TOLERANCE: ±0.25



## Packing :



## MODEL NO.: HK-017 Profile of IR Reflow (Lead Free)



### PACKING

1. Tape & Reel : 350pcs / Reel , 1750pcs / Carton
2. Dry Pack : 1pcs  
Product Description:(5g Silica Gel Desiccant)  
PH: 4-8  
Package Materials: Paper(Length 6.5±1cm , Width 5±1cm)
3. Reel Packed By Vacuum
4. Seal Per Jedec

