



NO:RD-HK-SD018  
Date:2005/09/14-I (REV:A1)

# 10/100 BASE TRANSFORMERS FOR LXT983 MODEL NO.: HK-018

## FEATURE:

RoHS Compliant

RoHS peak solder rating 260°C

DESIGNED TO MEET IR REQUIREMENT

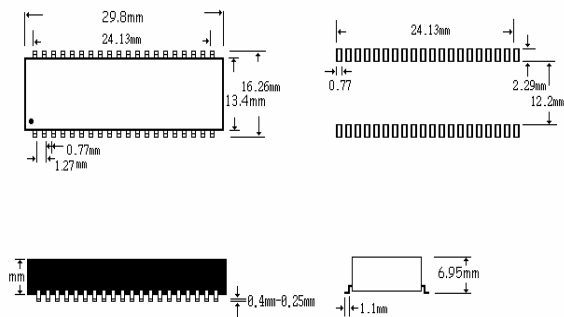
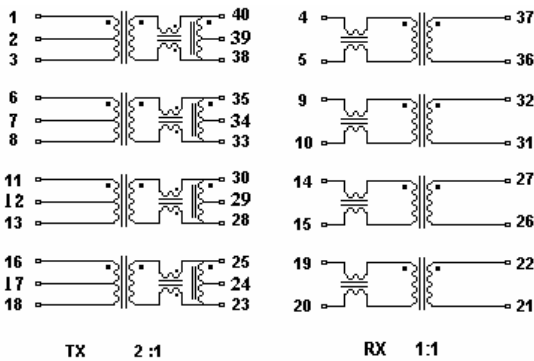
SPECIFICATIONS:AT 25°C

Part Number	Turns Ratio ( ±3% )		OCL (uh min/ KHz MAX)		LL ( μH MAX / KHz )		CWW ( pF /KHz MAX)		DCR Ω(MAX)		HIPOT (VAC)
	RX	TX	RX	TX	RX	TX	RX	TX	RX	TX	
HK-012	1CT:1CT	2CT:1CT	350/ 100	350/ 100	4/100	4/100	20/100	20/100	700	700	1500

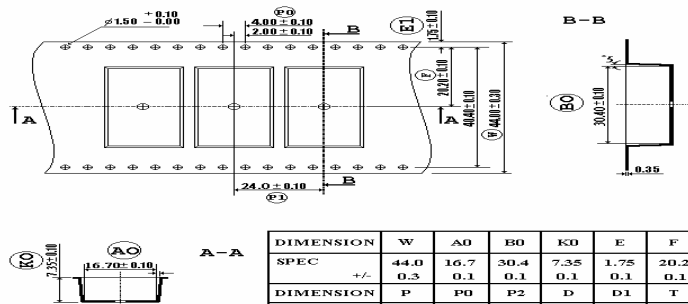
## SCHEMATICS:

DIMENSION: mm

TOLERANCE:±0.25(0.010)



## Packing :



DIMENSION	W	A0	B0	K0	E	F
SPEC	44.0	16.7	30.4	7.35	1.75	20.2
	+/- 0.3	0.1	0.1	0.1	0.1	0.1
DIMENSION	P	P0	P2	D	D1	T
SPEC	24.0	4.0	2.0	1.5	2.0	0.35
	+/- 0.1	0.1	0.1	(MIN)	(MIN)	0.05

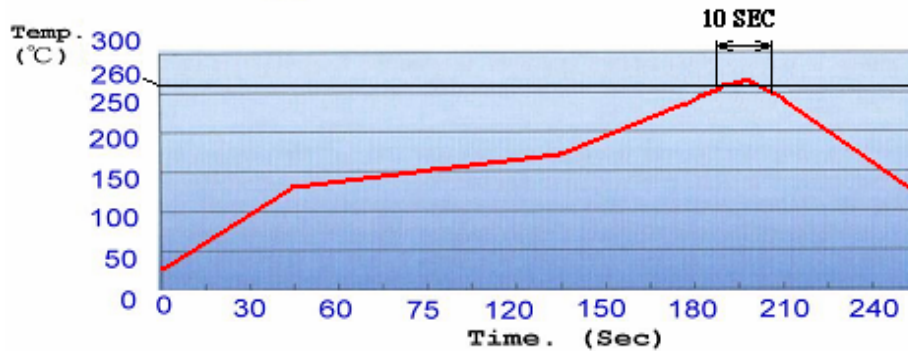
Tape & reel-----350/reel  
Tube-----16/tube



NO:RD-HK-SD018  
Date:2005/09/14-I (REV:A1)

## MODEL NO.: HK-018

Profile of IR Reflow (Lead Free)



### PACKING

1. Tape & Reel : 350pcs / Reel , 1750pcs / Carton
2. Dry Pack : 1pcs  
Product Description:(5g Silica Gel Desiccant)  
PH: 4-8  
Package Materials: Paper(Length 6.5±1cm , Width 5±1cm)
3. Reel Packed By Vacuum
4. Seal Per Jedec

