



NO:RD-H1044  
Date:2005/09/14-I (REV:A1)

**10/100 BASE QUAD SMT TRANSFORMERS**  
**TP/PMD AND 155MBPS ATM**  
**MODEL NO.: HK-021**

**FEATURE:**

**RoHS Compliant**

**RoHS peak solder rating 260°C**

**DESIGNED TO MEET IR REQUIREMENT**

**SPECIFICATIONS:AT 25°C**

**URNS RATIO RX : 1:1**

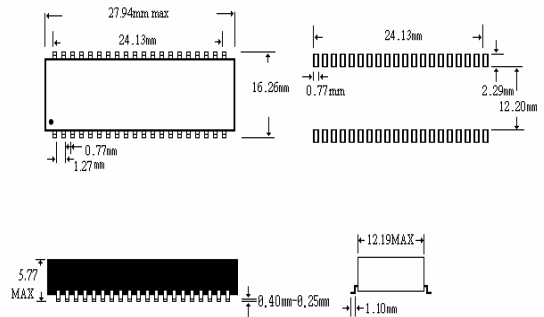
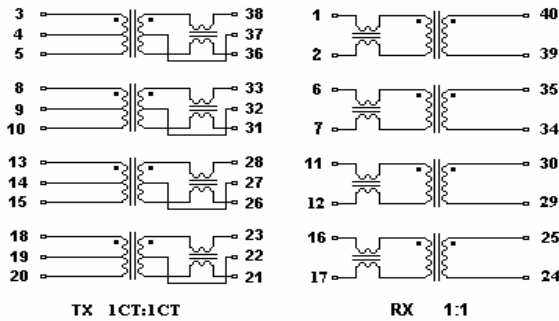
**URNS RATIO TX : 1CT:1CT**

**OCL : 350μH MIN. @100KHz 100mV 8mVDC**

Part Number	Insertion Loss (dB TYP) 1-100MHz	Return loss (dB MIN @100Ω) 1~100 MHz				Common Mode Rejection (dB MIN) 0.1~ 100MHz	Cross talk (dB TYP) 100MAz				Hi pot VAC
		2-30	40	50	60-80		1	30	60	100MAz	
HK-021	-0.5	-21	-17	-14.5	-12	-30	-65	-55	-45	-35	1500

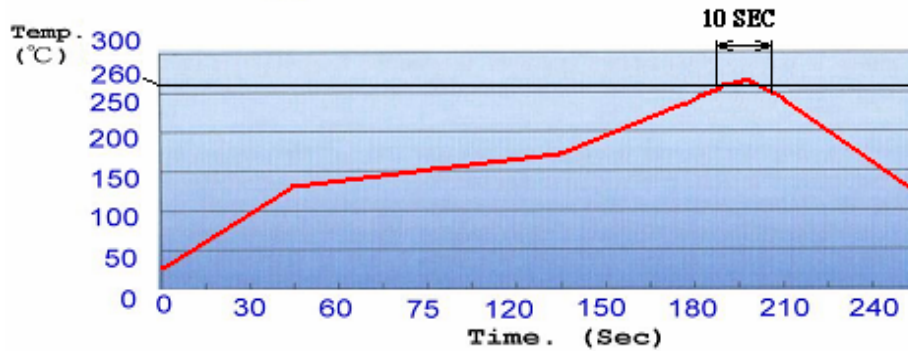
**SCHEMATICS:**

**DIMENSION: mm TOLERANCE:±0.25(0.010)**



## MODEL NO.: HK-021

### Profile of IR Reflow (Lead Free)



### PACKING

1. Tape & Reel : 350pcs / Reel ,1750pcs / Carton
2. Dry Pack : 1pcs  
Product Description:(5g Silica Gel Desiccant)  
PH: 4-8  
Package Materials: Paper(Length 6.5±1cm , Width 5±1cm)
3. Reel Packed By Vacuum
4. Seal Per Jedec

