



NO:RD-HK-SD023  
Date:2005/09/14-I (REV:A1)

# 10/100 BASE-T QUAD SMT TRANSFORMER

## TP/PMD AND 155MBPS ATM

### MODEL NO.: HK-023

**FEATURE:**

**RoHS Compliant**

**RoHS peak solder rating 260°C**

**DESIGNED TO MEET IR REQUIREMENT**

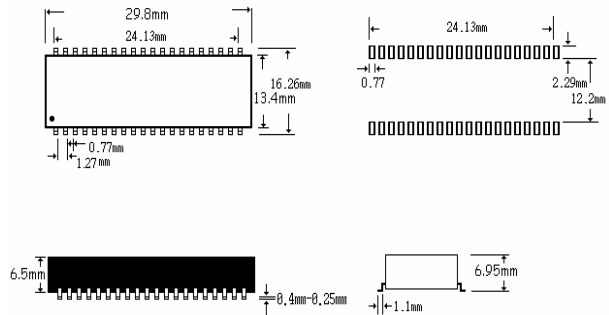
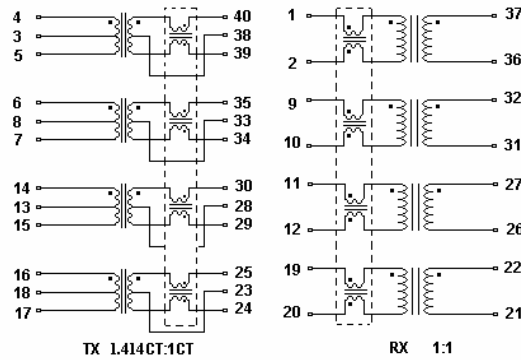
**SPECIFICATIONS: AT 25°C**

OCL (uH MIN)	350
Cww (pF MAX)	20
LL (uH MAX)	0.30

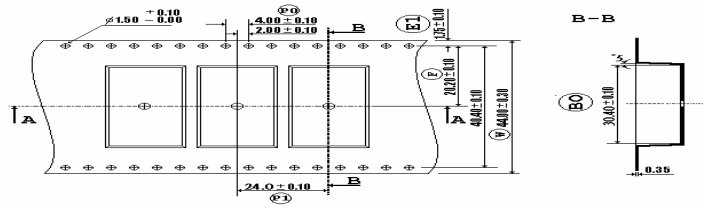
Part Number	Transformer Turns ratio (±2% ) Receive Transmit	Insertion Loss (dB TYP) 1-125MHz	Crosstalk (dB TYP)				Return loss 5 to 100 Mhz (dB MIN)		Common Mode Rejection (dB MIN)		Hipot VAC
			1MHz	30MHz	60MHz	100MHz	1-60MHz	60-100MHz	1-60	60-100	
HK-023	1:1 1.414CT:1CT	-1.1	-65	-55	-45	-35	-15	-12	-40	-30	1500

**SCHEMATICS:**

**DIMENSION: mm**  
TOLERANCE:±0.25(0.010)



**Packing :**

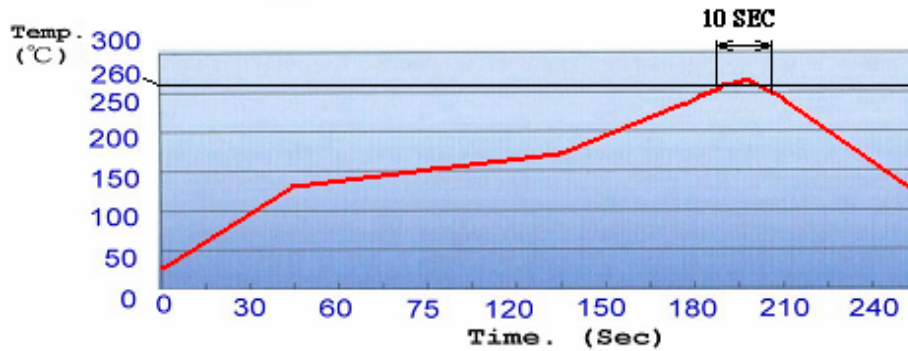


DIMENSION	W	A0	B0	K0	E	F
SPEC	44.0	16.7	30.4	7.35	1.75	20.2
	+/- 0.3	0.1	0.1	0.1	0.1	0.1
DIMENSION	P	P0	P2	D	D1	T
SPEC	24.0	4.0	2.0	1.5	2.0	0.35
	+/- 0.1	0.1	0.1	(MIN)	(MIN)	0.05

Tape & reel-----350/reel  
Tube-----16/tube

## MODEL NO.: HK-023

### Profile of IR Reflow (Lead Free)



### PACKING

1. Tape & Reel : 350pcs / Reel , 1750pcs / Carton
2. Dry Pack : 1pcs  
Product Description:(5g Silica Gel Desiccant)  
PH: 4-8  
Package Materials: Paper(Length 6.5±1cm , Width 5±1cm)
3. Reel Packed By Vacuum
4. Seal Per Jedec

