



NO:RD-Pulse H1060
Date:2005/09/14-I (REV:A1)

10/100 BASE-T QUAD SMT TRANSFORMER

TP/PMD AND 155MBPS ATM

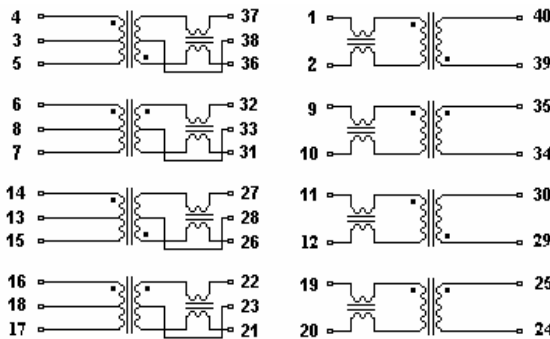
MODEL NO.: HK-025

FEATURE:
RoHS Compliant
RoHS peak solder rating 260°C
DESIGNED TO MEET IR REQUIREMENT
SPECIFICATIONS:AT 25°C

OCL (uH MIN) 350
Cww (pF MAX) 20
LL (uH MAX) 0.30

| Part Number | Transformer Turns ratio (±2%) | | Insertion Loss (dB TYP) .1~100MHz | Cross talk (dB TYP) | | | | Return loss 5 to 100 MHz (dB MIN) | | Common Mode Rejection (dB MIN) | | Hipot VAC |
|-------------|--------------------------------|----------|-----------------------------------|---------------------|-------|-------|--------|-----------------------------------|-----------|--------------------------------|--------|-----------|
| | Receive | Transmit | | 1MHz | 30MHz | 60MHz | 100MHz | 1-60MHz | 60-100MHz | 1~60 | 60~100 | |
| HK-025 | 1:1 | 1CT:1CT | -0.5 | -65 | -55 | -45 | -35 | -15 | -12 | -40 | -30 | 1500 |

SCHEMATICS:

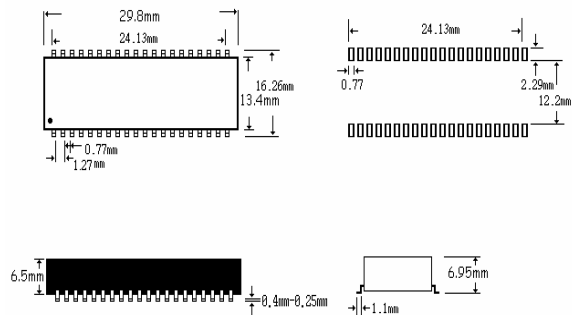


TX 1CT:1CT

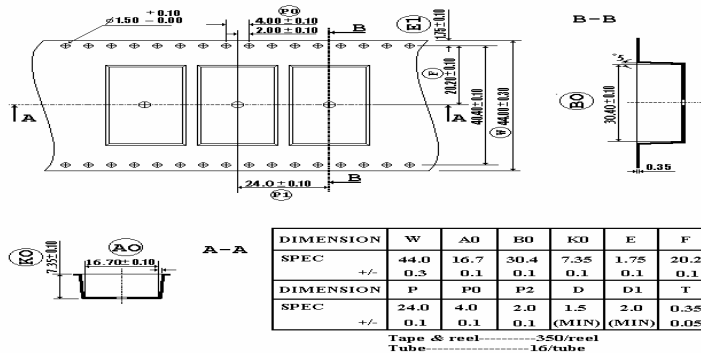
DV 4-4

DIMENSION: mm

TOLERANCE:±0.25

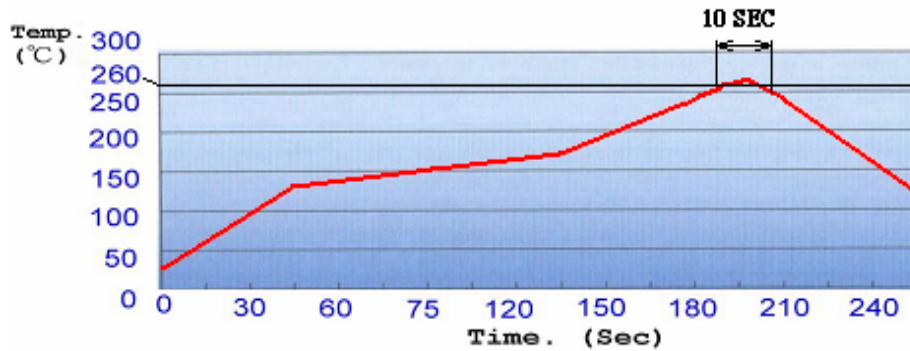


Packing :



MODEL NO.: HK-025

Profile of IR Reflow (Lead Free)



PACKING

1. Tape & Reel : 350pcs / Reel , 1750pcs / Carton
2. Dry Pack : 1pcs
Product Description:(5g Silica Gel Desiccant)
PH: 4-8
Package Materials: Paper(Length 6.5±1cm , Width 5±1cm)
3. Reel Packed By Vacuum
4. Seal Per Jedec

