



NO:RD-Pulse H1062  
Date:2005/09/14-I(REV:A1)

# 10/100 BASE-T QUAD SMT TRANSFORMER

## TP/PMD AND 155MBPS ATM

### MODEL NO.: HK-027

#### FEATURE:

RoHS Compliant

RoHS peak solder rating 260°C

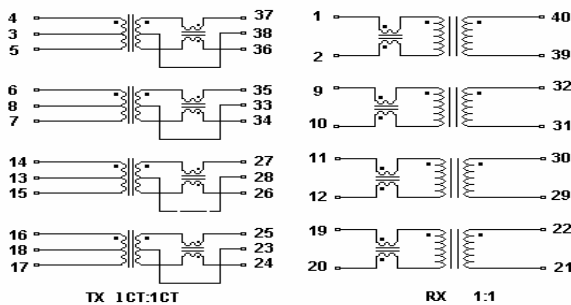
DESIGNED TO MEET IR REQUIREMENT

SPECIFICATIONS: AT 25°C

OCL (uH MIN)	350	@ 8mA DC
Cww (pF MAX)	20	
LL (uH MAX)	0.30	

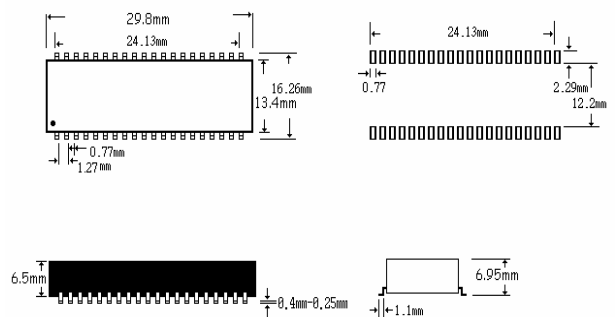
Part Number	Transformer Turns ratio (±2% ) Receive Transmit	Insertion Loss (dB TYP) 1-125MHz	Crosstalk (dB TYP)				Return loss 5 to 100 Mhz (dB MIN)		Common Mode Rejection (dB MIN)		Hipot VAC
			1MHz	30MHz	60MHz	100MHz	1-60MHz	60-100MHz	1-60	60-100	
HK-027	1CT:1CT	-1.1	-65	-55	-45	-35	-15	-12	-40	-30	1500

#### SCHEMATICS:

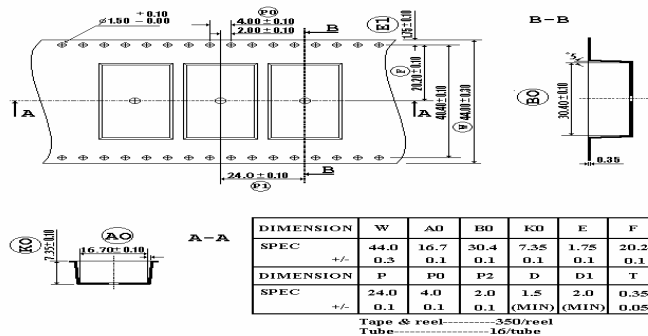


#### DIMENSION: mm

TOLERANCE: ±0.25(0.010)

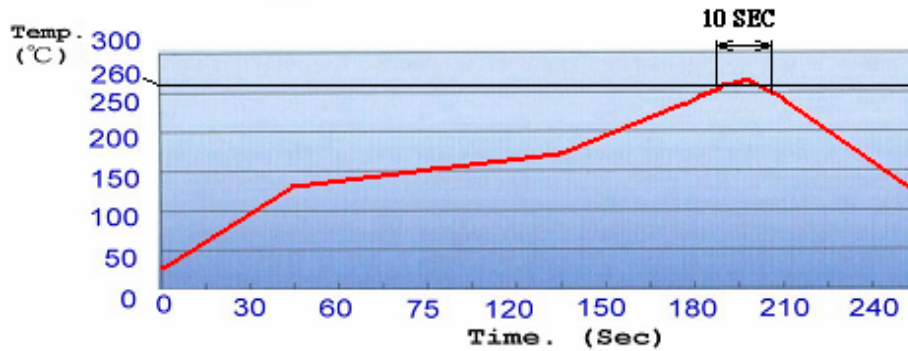


#### Packing :



## MODEL NO.: HK-027

### Profile of IR Reflow (Lead Free)



### PACKING

1. Tape & Reel : 350pcs / Reel , 1750pcs / Carton
2. Dry Pack : 1pcs  
Product Description:(5g Silica Gel Desiccant)  
PH: 4-8  
Package Materials: Paper(Length 6.5±1cm , Width 5±1cm)
3. Reel Packed By Vacuum
4. Seal Per Jedec

