



NO:RD-Pulse H1036
Date:2005/09/15-I (REV:A1)

10/100 BASE-T QUAD SMT TRANSFORMER

TP/PMD AND 155MBPS ATM

MODEL NO.: HK-033

FEATURE:

RoHS Compliant

RoHS peak solder rating 260°C

DESIGNED TO MEET IR REQUIREMENT

SPECIFICATIONS:AT 25°C

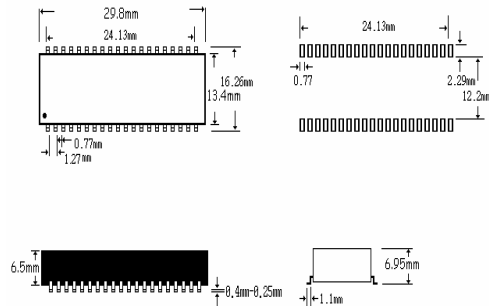
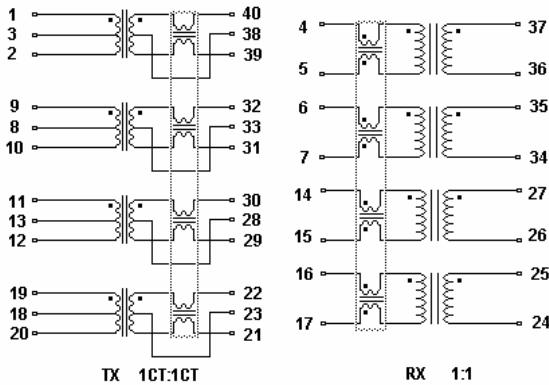
OCL (uH MIN)	350
Cww (pF MAX)	20
LL (uH MAX)	0.30

Part Number	Transformer Turns ratio (±2%)		Insertion Loss (dB TYP) 1-100MHz	Crosstalk (dB TYP)				Return loss 5 to 100 Mhz (dB MIN)		Common Mode Rejection (dB MIN)		Hipot VAC
	Receive	Transmit		1MHz	30MHz	60MHz	100MHz	1-60MHz	60-100MHz	1-60	60-100	
HK-033	1:1	1CT:1CT	-5	-65	-55	-45	-35	-15	-12	-40	-30	1500

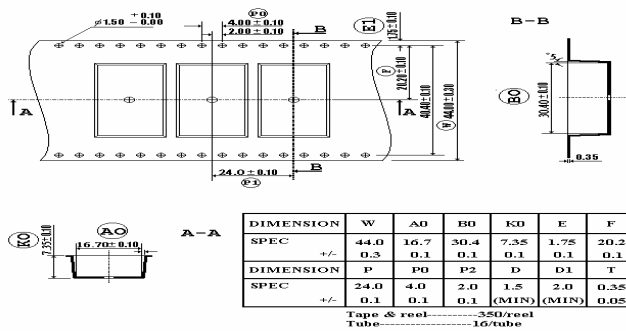
SCHEMATICS:

DIMENSION: mm

TOLERANCE:±0.25(0.010)



Packing :

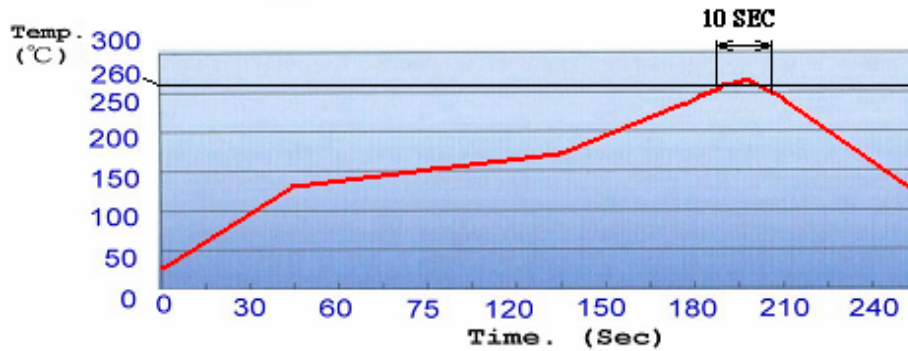




NO:RD-Pulse H1036
Date:2005/09/15-I (REV:A1)

MODEL NO.: HK-033

Profile of IR Reflow (Lead Free)



PACKING

1. Tape & Reel : 350pcs / Reel , 1750pcs / Carton
2. Dry Pack : 1pcs
Product Description:(5g Silica Gel Desiccant)
PH: 4-8
Package Materials: Paper(Length 6.5±1cm , Width 5±1cm)
3. Reel Packed By Vacuum
4. Seal Per Jedec

