



NO:RD-40ST1025A
Date:2005/09/15-I (REV:A1)

10/100 BASE-T QUAD SMT TRANSFORMER

MODEL NO.: HK-041

FEATURE:

RoHS Compliant

RoHS peak solder rating 260°C

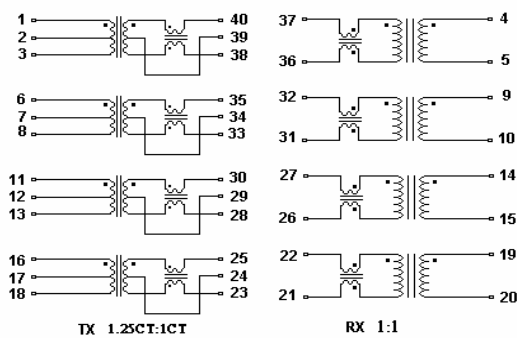
DESIGNED TO MEET IR REQUIREMENT

SPECIFICATIONS:AT 25°C

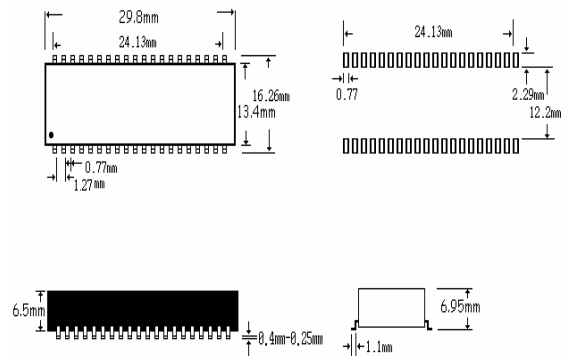
| | |
|---------------|------|
| OCL (uH MIN.) | 350 |
| Cww (pF MAX.) | 20 |
| LL (uH MAX.) | 0.40 |

| Part Number | Transformer Turns ratio (±2%) Receive Transmit | Insertion Loss (dB TYP.) 1-125MHz | Crosstalk (dB TYP.) | | | | Return loss .5 to 100 MHz (dB MIN.) | | Common Mode Rejection (dB MIN.) | | Hipot VAC |
|-------------|--|--------------------------------------|---------------------|-------|-------|--------|-------------------------------------|-----------|---------------------------------|--------|-----------|
| | | | 1MHz | 30MHz | 60MHz | 100MHz | 1-60MHz | 60-100MHz | 1-60 | 60-100 | |
| HK-041 | 1:1 1CT:1CT | -1.1 | -65 | -55 | -45 | -35 | -15 | -12 | -40 | -30 | 1500 |

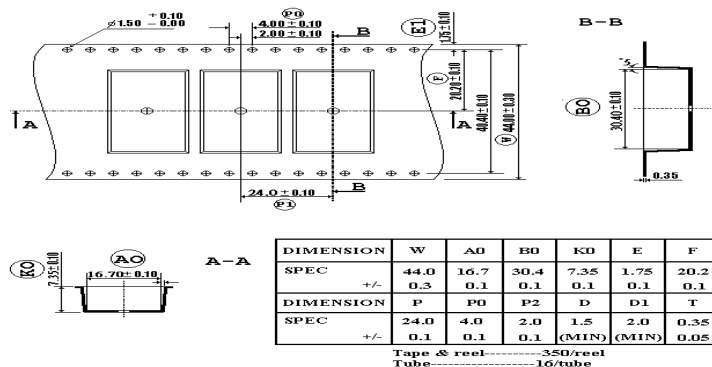
SCHEMATICS:



DIMENSION: mm TOLERANCE:±0.25(0.010)

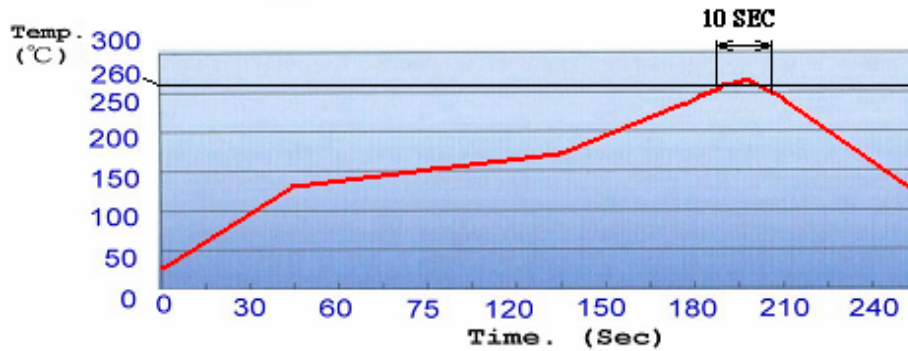


Packing :



MODEL NO.: HK-041

Profile of IR Reflow (Lead Free)



PACKING

1. Tape & Reel : 350pcs / Reel ,1750pcs / Carton
2. Dry Pack : 1pcs
Product Description:(5g Silica Gel Desiccant)
PH: 4-8
Package Materials: Paper(Length 6.5±1cm , Width 5±1cm)
3. Reel Packed By Vacuum
4. Seal Per Jedec

