



NO:RD-TG110-S450NX
Date:2005/09/15-I (REV:A1)

10/100 BASE QUAD SMT TRANSFORMERS TP/PMD AND 155MBPS ATM MODEL NO.: HK-042

FEATURE:

RoHS Compliant

RoHS peak solder rating 260°C

DESIGNED TO MEET IR REQUIREMENT

SPECIFICATIONS:AT 25°C

URNS RATIO RX : 1:1

URNS RATIO TX : 1CT:1CT

OCL :350μH MIN. @100KHz 100mV 8mVDC

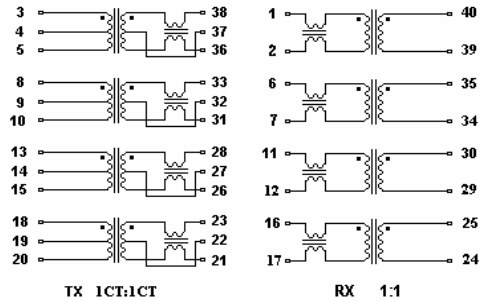
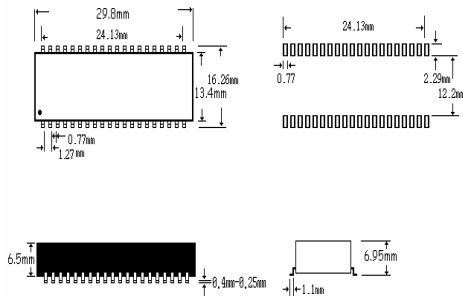
DCR : 0.6Ω MAX.

Part Number	Insertion Loss (dB MAX.) 1-100MHz	Return loss (dB MIN @100Ω) 1~100 MHz				Common Mode Rejection (dB MIN) 2 50 100 MHz			Cross talk (dB TYP) 0.1 ~ 100 MHz	Hi pot VAC 1500
		0.5-40	60	80	100	2	50	100		
HK-042	-1.0	-18	-14	-12	-10	-60	-39	-33	-35	1500

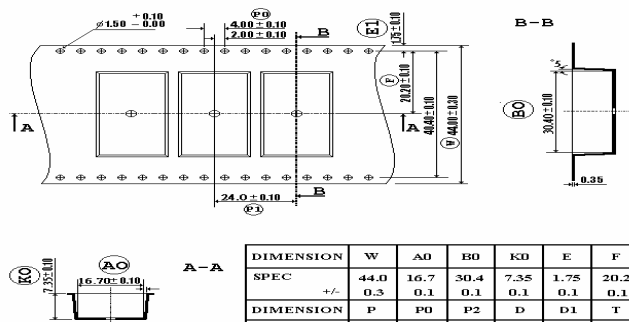
SCHEMATICS:

DIMENSION: mm

TOLERANCE:±0.25



Packing :

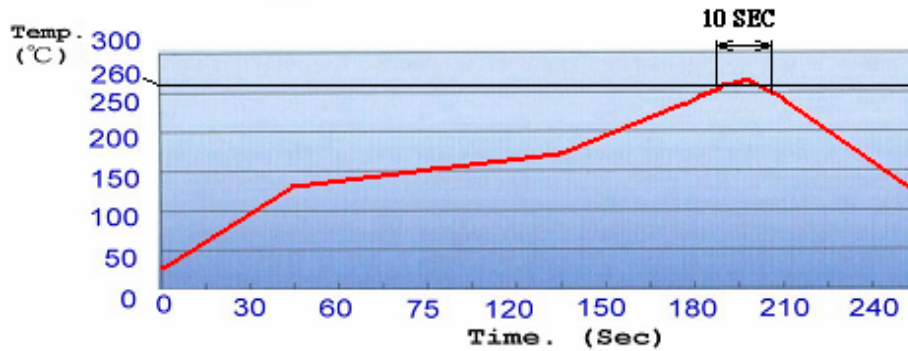


DIMENSION	W	A0	B0	K0	E	F
SPEC	44.0	16.7	30.4	7.35	1.75	20.2
+/-	0.3	0.1	0.1	0.1	0.1	0.1
DIMENSION	P	P0	P2	D	D1	T
SPEC	24.0	4.0	2.0	1.5	2.0	0.35
+/-	0.1	0.1	0.1	(MIN)	(MIN)	0.05

Tape & reel-----350/reel
Tube-----16/tube

MODEL NO.: HK-042

Profile of IR Reflow (Lead Free)



PACKING

1. Tape & Reel : 350pcs / Reel , 1750pcs / Carton
2. Dry Pack : 1pcs
Product Description:(5g Silica Gel Desiccant)
PH: 4-8
Package Materials: Paper(Length 6.5±1cm , Width 5±1cm)
3. Reel Packed By Vacuum
4. Seal Per Jedec

