



NO:RD-Pulse H1062  
Date:2005/09/15-I (REV:A1)

# 10/100 BASE-T QUAD SMT TRANSFORMER TP/PMD AND 155MBPS ATM MODEL NO.: HK-045

## FEATURE:

RoHS Compliant

RoHS peak solder rating 260°C

DESIGNED TO MEET IR REQUIREMENT

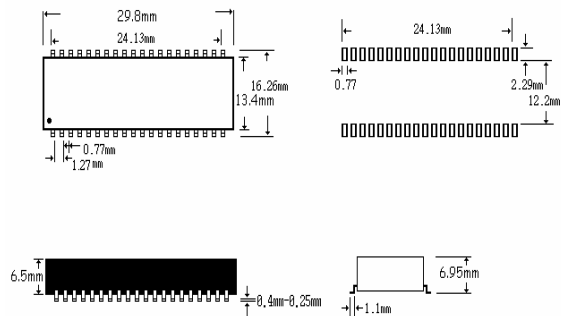
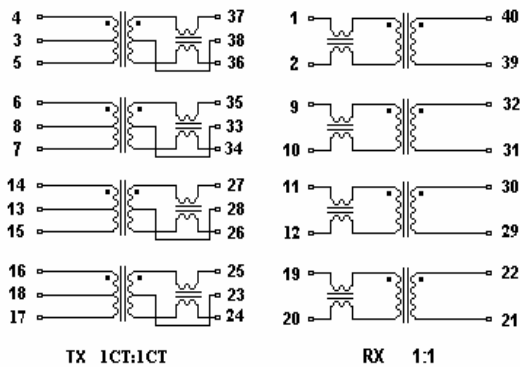
SPECIFICATIONS:AT 25°C

OCL (uH MIN) 350 8 mA

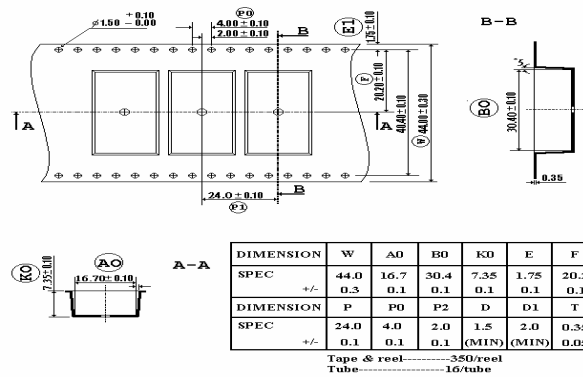
| Part Number | Insertion Loss (dB TYP) .1-100MHz | Cross talk (dB TYP) |       |       |        | Return loss (dB typ) |     |       |          | Differential to Comm Mode Rejection (dB typ) |            | Common Mode Rejection (dB typ) 0.1-60MHz | Hipot VAC |      |
|-------------|-----------------------------------|---------------------|-------|-------|--------|----------------------|-----|-------|----------|----------------------------------------------|------------|------------------------------------------|-----------|------|
|             |                                   | 1MHz                | 30MHz | 60MHz | 100MHz | 2-30                 | 40  | 50    | 60-80MHz | 1-60                                         | 60-200 MHz |                                          |           |      |
| HK-045      | -0.5                              | -65                 | -55   | -45   | -35    | -21                  | -17 | -14.5 | -12      | -40                                          | -30        | -30                                      | -30       | 1500 |

## SCHEMATICS:

DIMENSION: mm  
TOLERANCE:±0.25(0.010)

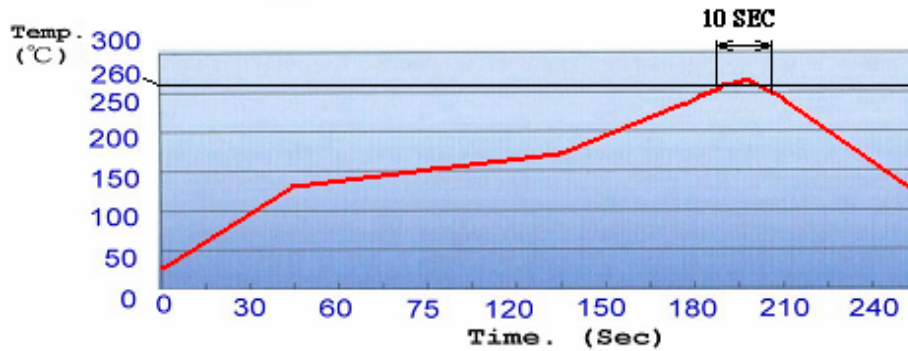


## Packing :



## MODEL NO.: HK-045

### Profile of IR Reflow (Lead Free)



### PACKING

1. Tape & Reel : 350pcs / Reel , 1750pcs / Carton
2. Dry Pack : 1pcs  
Product Description:(5g Silica Gel Desiccant)  
PH: 4-8  
Package Materials: Paper(Length 6.5±1cm , Width 5±1cm)
3. Reel Packed By Vacuum
4. Seal Per Jedec

