



NO:RD-DELTA-LF8258
Date:2005/09/15-I (REV:A1)

10/100 BASE TX TRANSFORMER

MODEL NO.: HK-047

FEATURE:

RoHS Compliant

RoHS peak solder rating 260°C

DESIGNED TO MEET IR REQUIREMENT

SPECIFICATIONS:AT 25°C

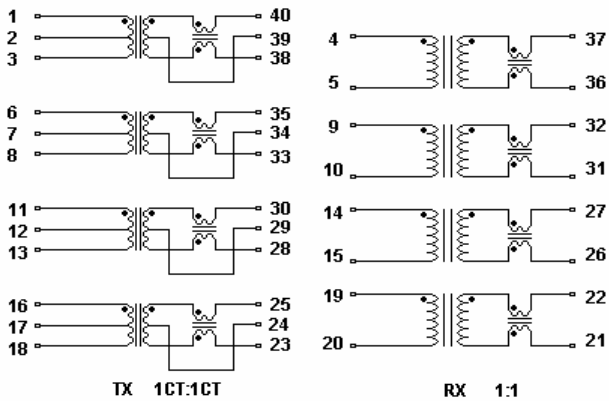
OCL (uH MIN.) 350 @100KHZ/100mV 8mA dc bias

LL (uH MAX.) 0.4 @100KHZ/100mV

DCR (Ω MAX) 0.9

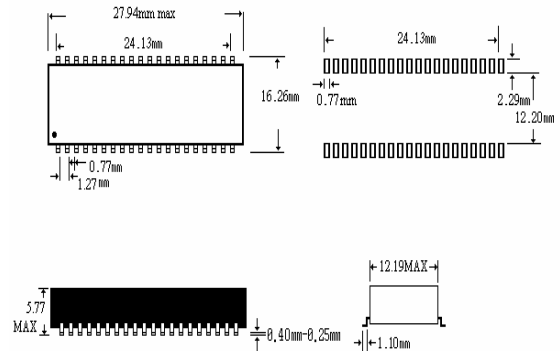
Part Number	Transformer Turns ratio (±2%) Receive Transmit	Insertion Loss (dB MAX) 0.1-100MHz	Cross talk (dB MIN) MHz				Return loss (dB MIN.) MHz				Com To Com Rejection Ratio (dB MIN) MHz		Diff To Com Mode Rejection (dB MIN) MHz		Hi pot VAC
			1	30	60	100	2~30	40	50	60~80	1~60	60~100	1~60	60~100	
HK-047	1:1 1CT:1CT	-1.0	-65	-55	-45	-35	-18	-17	-14.5	-12	-40	-30	-40	-30	1500

SCHEMATICS:

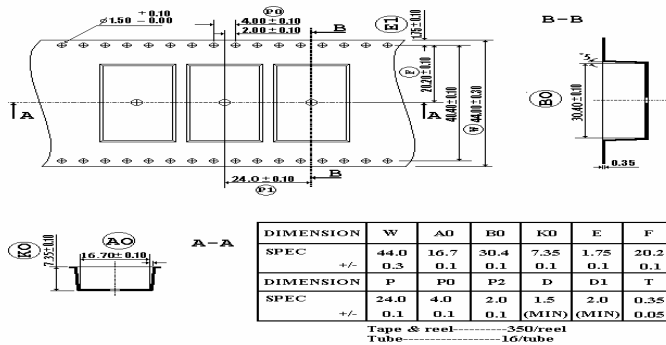


DIMENSION:

TOLERANCE: mm (±0.25)

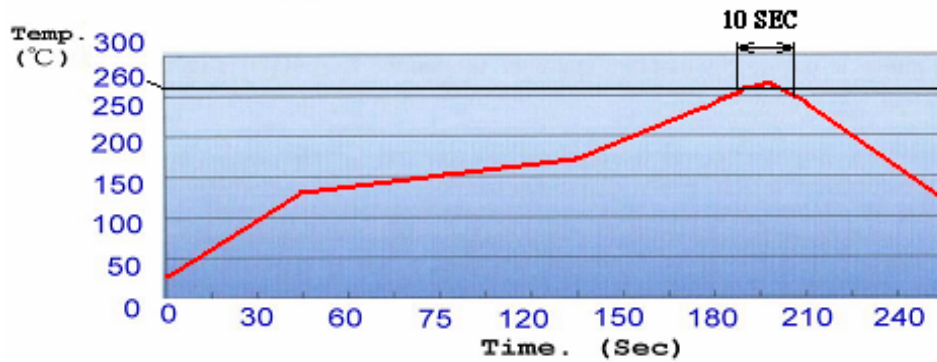


Packing :



MODEL NO.: HK-047

Profile of IR Reflow (Lead Free)



PACKING

1. Tape & Reel : 350pcs / Reel , 1750pcs / Carton
2. Dry Pack : 1pcs
Product Description:(5g Silica Gel Desiccant)
PH: 4-8
Package Materials: Paper(Length 6.5±1cm , Width 5±1cm)
3. Reel Packed By Vacuum
4. Seal Per Jedec

