



NO:RD-PH406032

Date:2005/09/15-I (REV:A1)

# 10/100 BASE TX TRANSFORMER

## MODEL NO.: HK-048

### FEATURE:

RoHS Compliant

RoHS peak solder rating 260°C

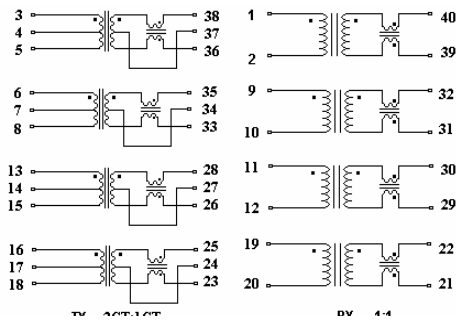
DESIGNED TO MEET IR REQUIREMENT

SPECIFICATIONS:AT 25°C

OCL (uH MIN.)      350 @100KHZ/100mV      8mA dc bias

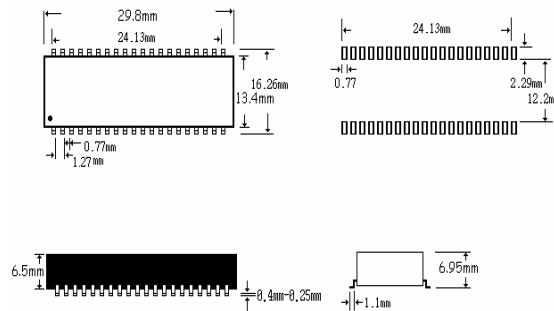
Part Number	Transformer Turns ratio (±2%) Receive Transmit	Insertion Loss dB TYP 0.1~100MHz	Cross talk dB TYP 32/62/100 MHz	Return loss (dB MIN.) 30/60/80 MHz	Hi pot VAC
HK-048	1:1    2:1	-1.0	-40 / -35 / -35	-17 / -12 / -10	2000

### SCHEMATICS:

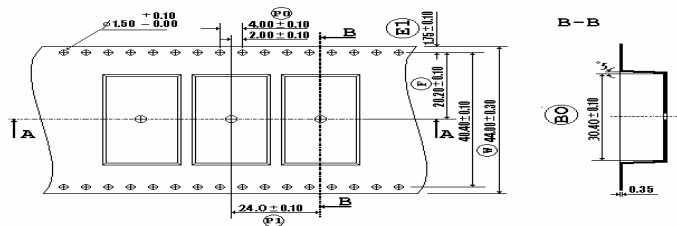


### DIMENSION: mm

TOLERANCE:±0.25



### Packing :

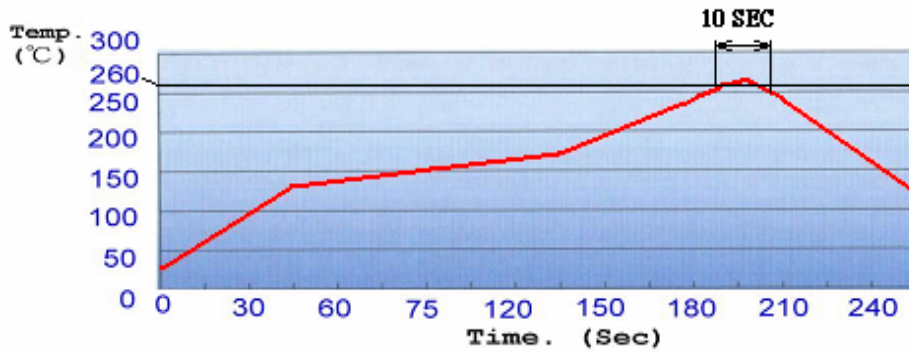


DIMENSION	W	A0	B0	K0	E	F
SPEC	44.0	16.7	30.4	7.35	1.75	20.2
+/-	0.3	0.1	0.1	0.1	0.1	0.1
DIMENSION	P	P0	P2	D	D1	T
SPEC	24.0	4.0	2.0	1.5	2.0	0.35
+/-	0.1	0.1	0.1	(MIN)	(MIN)	0.05

Tape & reel-----350/reel  
Tube-----16/tube

## MODEL NO.: HK-048

### Profile of IR Reflow (Lead Free)



### PACKING

1. Tape & Reel : 350pcs / Reel , 1750pcs / Carton
2. Dry Pack : 1pcs  
Product Description:(5g Silica Gel Desiccant)  
PH: 4-8  
Package Materials: Paper(Length 6.5±1cm , Width 5±1cm)
3. Reel Packed By Vacuum
4. Seal Per Jedec

