



NO:RD-824-M0116,bel:S558-59999-AA
 DATE:2005/09/15-I (REV:A1)

10/100BASE-TX TRANSFORMER MODULES

MODEL NO.:HK-053

FEATURE:

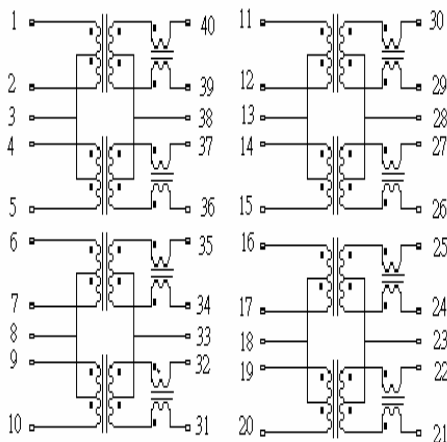
RoHS Compliant

RoHS peak solder rating 260°C

SPECIFICATIONS:AT 25°C

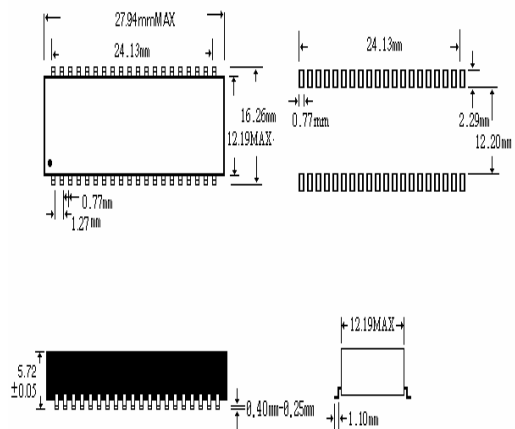
Parts Number	TURNS RATIO TX/ RX(±2%)	OCL (8mADC) 100KHz 100mV	Insertion Loss (dB MAX) 0.1-100MHz	Return Loss(dB MIN)				Cross talk (dB MIN)	CMRR (dB MIN)	HIPOT
				TX.RX.MHz						
				1~30	40	50	60~80	0.1~100MHZ	0.1~100MHz	VAC
HK-053	1CT : 1CT&1CT : 1CT	350 uH	1.0	18	15.5	13.5	12	32	30	1500

SCHEMATICS:

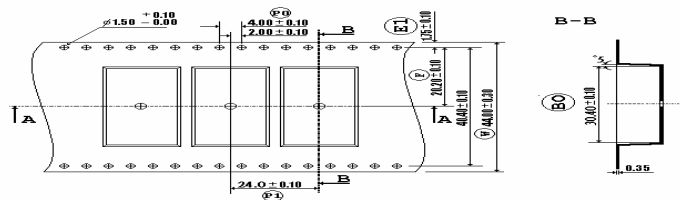


DIMENSION: mm

TOLERANCE:±0.25



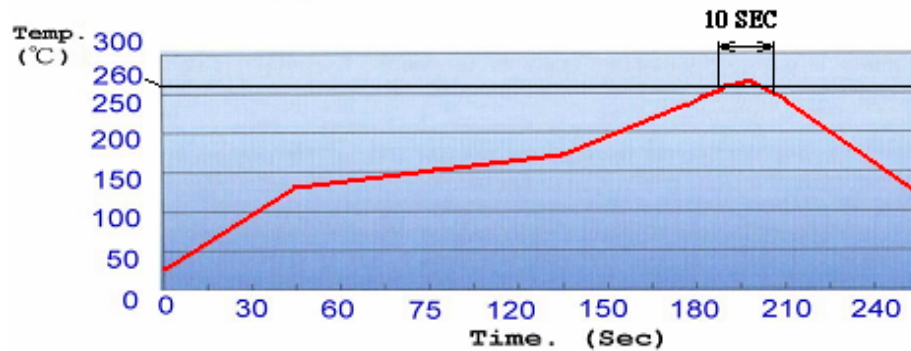
Packing :



DIMENSION	W	A0	B0	K0	E	F
SPEC	44.0	16.7	30.4	7.35	1.75	20.2
+/-	0.3	0.1	0.1	0.1	0.1	0.1
DIMENSION	P	P0	P2	D	D1	T
SPEC	24.0	4.0	2.0	1.5	2.0	0.35
+/-	0.1	0.1	0.1	(MIN)	(MIN)	0.05

Tape & reel-----350/reel
 Tube-----16/tube

MODEL NO.: HK-053 Profile of IR Reflow (Lead Free)



PACKING

1. Tape & Reel : 350pcs / Reel , 1750pcs / Carton
2. Dry Pack : 1pcs
Product Description:(5g Silica Gel Desiccant)
PH: 4-8
Package Materials: Paper(Length 6.5±1cm , Width 5±1cm)
3. Reel Packed By Vacuum
4. Seal Per Jedec

