



NO:RD-Pulse:H1074  
DATE:2005/09/15-I (REV:A1)

# 10/100BASE-TX QUAD PORT TRANSFORMER MODULES

## MODEL NO.: HK-055

### FEATURE:

RoHS Compliant

RoHS peak solder rating 260°C

SPECIFICATIONS:AT 25°C

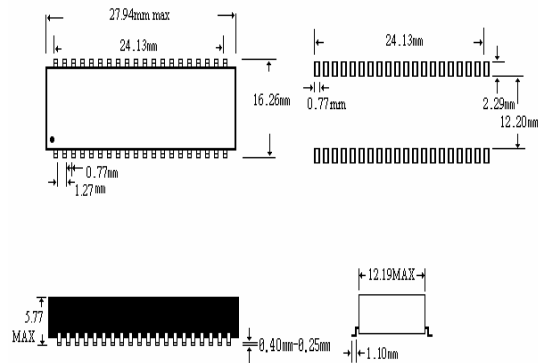
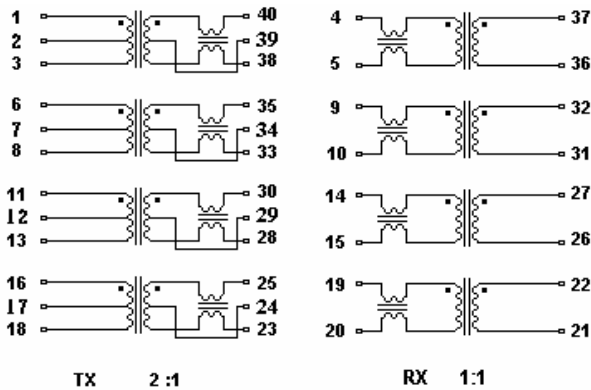
Operating Temperature-40°C+85°C

Parts Number	OCL (8mADC) 100KHz 100mV	Insertion Loss (dB TYP) 0.1- 100 MHz	Return Loss (dB TYP) .MHz				Cross talk (dB MIN) .MHz				Common to Common Rejection Ratio (dB MIN) 0.1-60MHz		Differential to Common Mode Rejection (dB MIN) .MHz		HIPOT
			2~30	40	50	60~80	1	30.	60	.1,00	Transmit	Receive	.1~60	60~200	
HK-055	350 uH	-0.5	-21	-17	-14.5	-12	-60	-50	-40	-35	-30	-30	-40	-30	1500

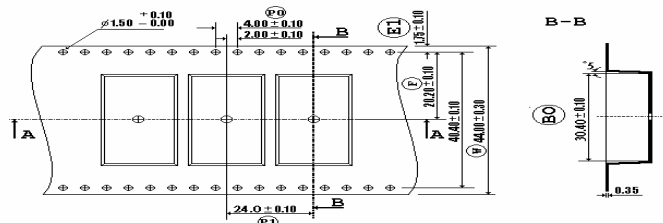
### SCHEMATICS:

### DIMENSION: mm

TOLERANCE: ±0.25



### Packing :

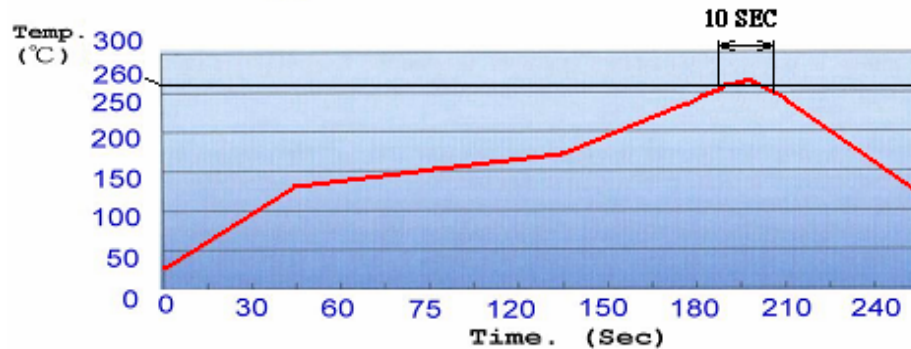


DIMENSION	W	A0	B0	K0	E	F
SPEC	44.0	16.7	30.4	7.35	1.75	20.2
+/-	0.3	0.1	0.1	0.1	0.1	0.1
DIMENSION	P	P0	P2	D	D1	T
SPEC	24.0	4.0	2.0	1.5	2.0	0.35
+/-	0.1	0.1	0.1	(MIN)	(MIN)	0.05

Tape & reel-----350/reel  
Tube-----16/tube

## MODEL NO.: HK-055

### Profile of IR Reflow (Lead Free)



### PACKING

1. Tape & Reel : 350pcs / Reel , 1750pcs / Carton
2. Dry Pack : 1pcs  
Product Description:(5g Silica Gel Desiccant)  
PH: 4-8  
Package Materials: Paper(Length 6.5±1cm , Width 5±1cm)
3. Reel Packed By Vacuum
4. Seal Per Jedec

