



Number:RD-40ST1041AX
 DATA:2005/09/15-I (REV:A1)

10/100BASE-TX TRANSFORMER MODULES

MODEL NO.: HK-057

FEATURE:

RoHS Compliant

RoHS peak solder rating 260°C

SPECIFICATIONS:AT 25°C

URNS RATIO TX : 1 : 1

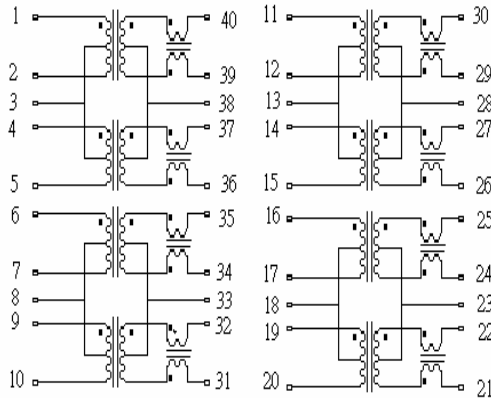
URNS RATIO RX : 1 : 1

OCL : 350 uH @8mA DC bias

Operating Temperature range:-40°C to +70°C

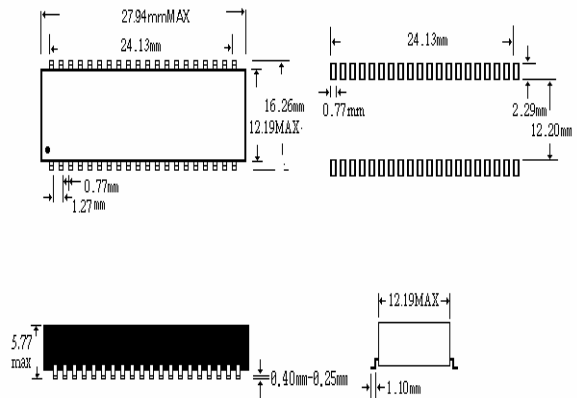
Parts Number	Insertion Loss (dB MAX) 0.1-100MHz	LL (uH MAX)	Cw/w (pF MAX)	HIPOT
HK-057	-1.0	0.4	56	1500VAC

SCHEMATICS:

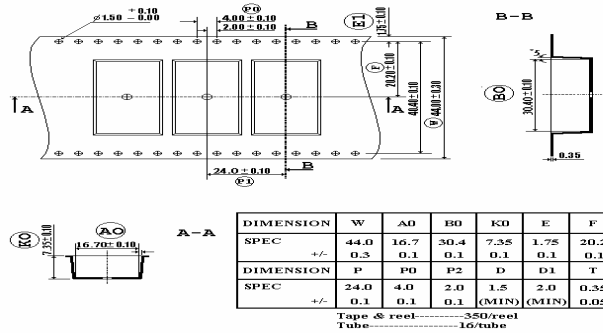


DIMENSION: mm

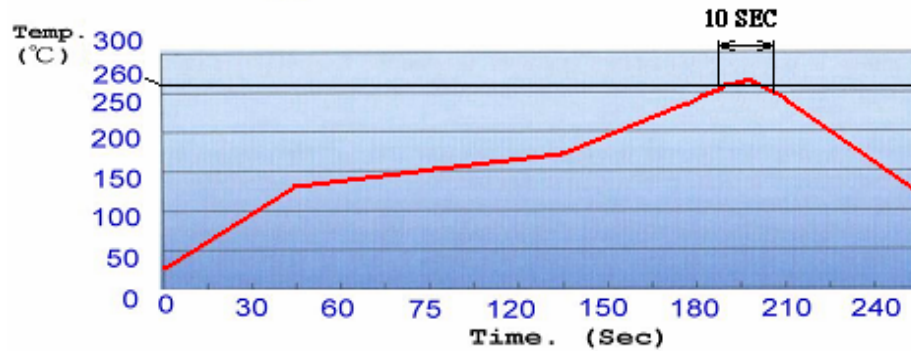
TOLERANCE: ±0.25



Packing :



MODEL NO.: HK-057 Profile of IR Reflow (Lead Free)



PACKING

1. Tape & Reel : 350pcs / Reel ,1750pcs / Carton
2. Dry Pack : 1pcs
Product Description:(5g Silica Gel Desiccant)
PH: 4-8
Package Materials: Paper(Length 6.5±1cm , Width 5±1cm)
3. Reel Packed By Vacuum
4. Seal Per Jedec

