



Number:RD-TO175S
DATA:2005/09/15-I (REV:A1)

10/100BASE-TX TRANSFORMER MODULES

MODEL NO.: HK-058

FEATURE:

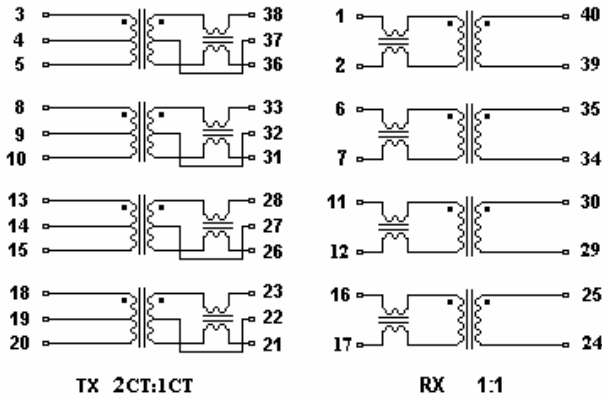
RoHS Compliant

RoHS peak solder rating 260°C

SPECIFICATIONS:AT 25°C

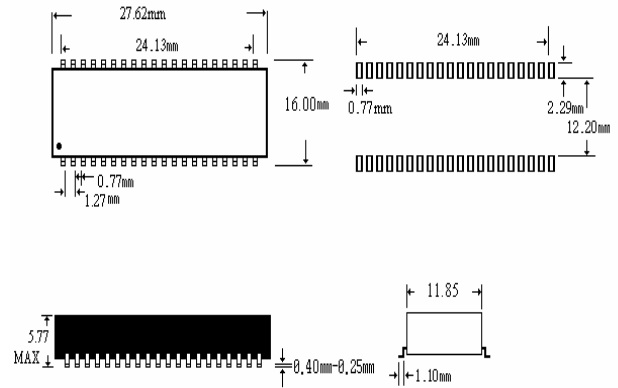
| Parts Number | TURNS RATIO (TX/RX)±3% | OCL uHMIN 8mA bias | Insertion Loss (dB TYP) 0.1-100MHz | Return Loss (dB MIN) MHz | | Cross talk (dB TYP) 1~ 100MHZ | Differential to Common Mode Rejection (dB MIN) | | HIPOT |
|--------------|------------------------|-----------------------|---------------------------------------|-----------------------------|-------|----------------------------------|--|-----------|----------|
| | | | | 2~30 | 60~80 | | 1~60MHz | 60~100MHz | |
| HK-058 | 2:1 & 1:1 | 350 | 1.1 | 18 | 12 | 35 | 40 | 35 | 1500 VAC |

SCHEMATICS:

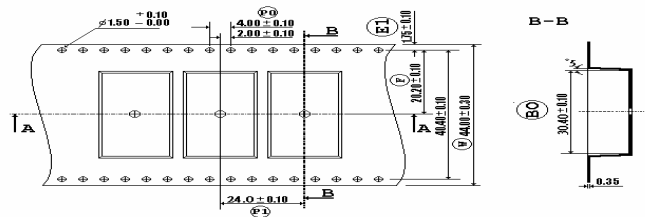


DIMENSION: mm

TOLERANCE: ±0.25



Packing :

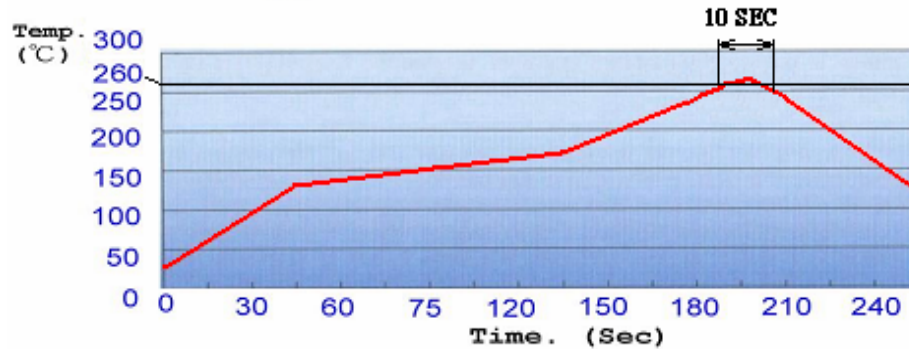


| DIMENSION | W | AD | BD | KD | E | F |
|-----------|---------|------|------|-------|-------|------|
| SPEC | 44.0 | 16.7 | 30.4 | 7.35 | 1.75 | 20.2 |
| | +/- 0.3 | 0.1 | 0.1 | 0.1 | 0.1 | 0.1 |
| DIMENSION | P | P0 | P2 | D | D1 | T |
| SPEC | 24.0 | 4.0 | 2.0 | 1.5 | 2.0 | 0.35 |
| | +/- 0.1 | 0.1 | 0.1 | (MIN) | (MIN) | 0.05 |

Tape & reel-----350/reel
Tube-----16/tube

MODEL NO.: HK-058

Profile of IR Reflow (Lead Free)



PACKING

1. Tape & Reel : 350pcs / Reel ,1750pcs / Carton
2. Dry Pack : 1pcs
Product Description:(5g Silica Gel Desiccant)
PH: 4-8
Package Materials: Paper(Length 6.5±1cm , Width 5±1cm)
3. Reel Packed By Vacuum
4. Seal Per Jedec

