



Number:RD-TO398S  
DATA:2005/09/15-I (REV:A1)

# 10/100BASE-TX TRANSFORMER MODULES

## MODEL NO.: HK-059

FEATURE:

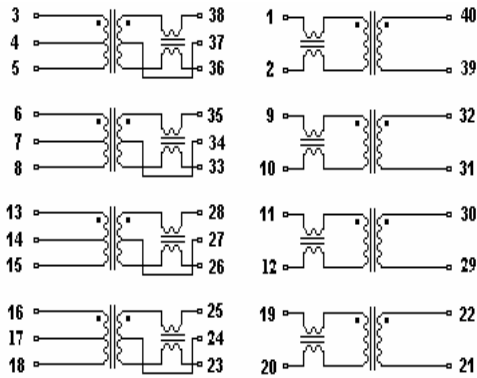
RoHS Compliant

RoHS peak solder rating 260°C

SPECIFICATIONS:AT 25°C

Parts Number	TURNS RATIO (TX/RX) ±3%	OCL uHMIN 8mA bias	Insertion Loss (dB TYP) 0.1- 100MHz FOR TX RL=400Ω FORRX RL=100Ω	Return Loss (dB MIN) MHz		Cross talk (dB TYP) 1~ 100MHZ	Differential to Common Mode Rejection (dB MIN)		HIPOT
				2~30	6 0~80		1~60Hz	60~100MHz	
HK-059	2:1 & 1:1	350	1.1	16	12	35	40	35	1500 VAC

### SCHEMATICS:

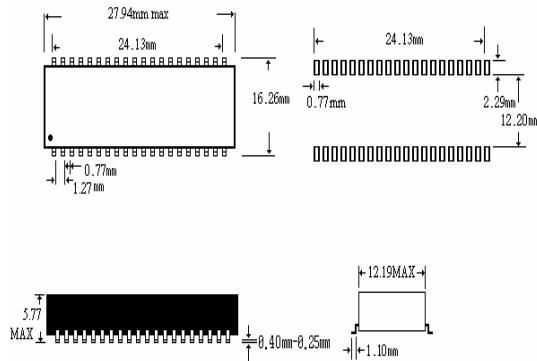


TX 2CT:1CT

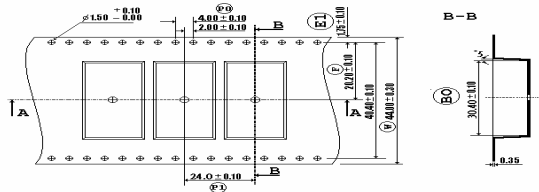
RX 1:1

### DIMENSION: mm

TOLERANCE:±0.25



Packing :

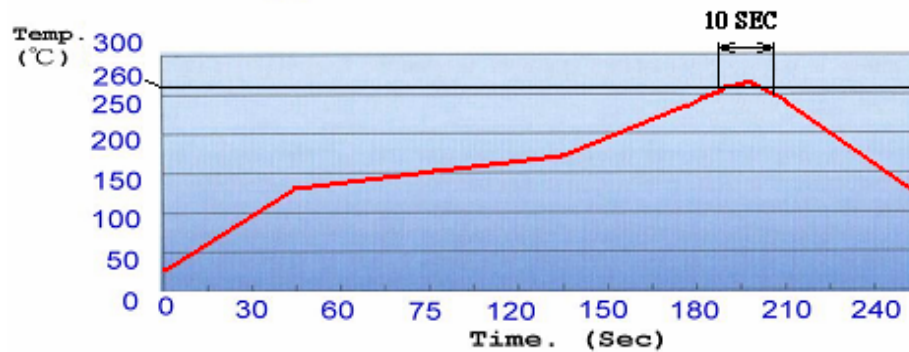


DIMENSION	W	A0	E0	K0	E	F
SPEC	44.0	16.7	30.4	7.35	1.75	20.2
	+/-	0.3	0.1	0.1	0.1	0.1
DIMENSION	P	P0	P2	D	D1	T
SPEC	24.0	4.0	2.0	1.5	2.0	0.35
	+/-	0.1	0.1	0.1	(MIN)	0.05

Tape & reel-----350/reel  
Tube-----16/tube

## MODEL NO.: HK-059

### Profile of IR Reflow (Lead Free)



### PACKING

1. Tape & Reel : 350pcs / Reel , 1750pcs / Carton
2. Dry Pack : 1pcs  
Product Description:(5g Silica Gel Desiccant)  
PH: 4-8  
Package Materials: Paper(Length 6.5±1cm , Width 5±1cm)
3. Reel Packed By Vacuum
4. Seal Per Jedec

