



NO:RD-UMEC 40ST1064  
DATE:2005/09/15 I (REV:A1)

## 10/100 BASE-TX TRANSFORMERS FOR AUTO MDI/MDIX APPLICATIONS

MODEL NO.: **HK-060**

**FEATURE:**

RoHS Compliant

RoHS peak solder rating 260°C

DESIGNED TO MEET IR REQUIREMENT

SPECIFICATIONS:AT 25°C

Operating Temperature : 0°C to +70°C

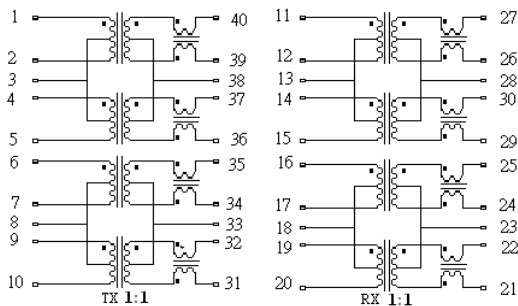
URNS RATIO RX/TX : 1CT : 1CT

OCL : 350 uH 8mA

HIPOT : 1500VAC.

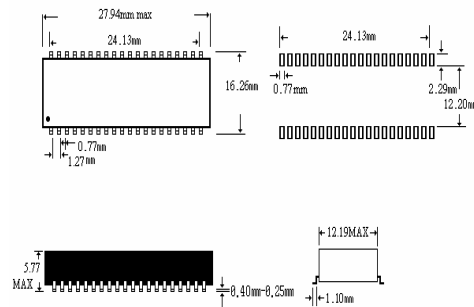
Parts Number	Insertion Loss (dB MAX) 0.1-100MHz	Return Loss (dB MIN)			Cross talk (dB MIN) 0.3~100 MHz	CMRR (dB MIN) 0.3~100 MHz	LL (Uh MAX)	Cw/w (Pf MAX)
		0.3~30	30~60	60~80 MHz				
HK-060	-1.15	-16	-12	-10	-35	-37 (TYP)	0.4	56

### SCHEMATICS:

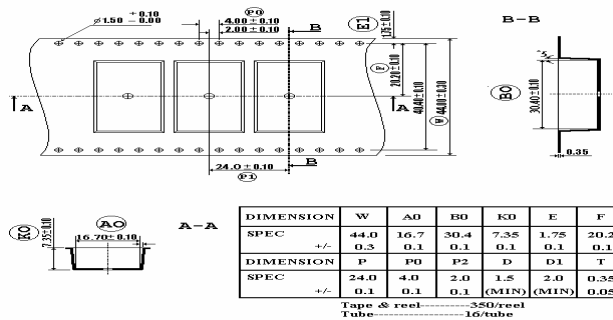


### DIMENSION: mm

TOLERANCE: ±0.25 )

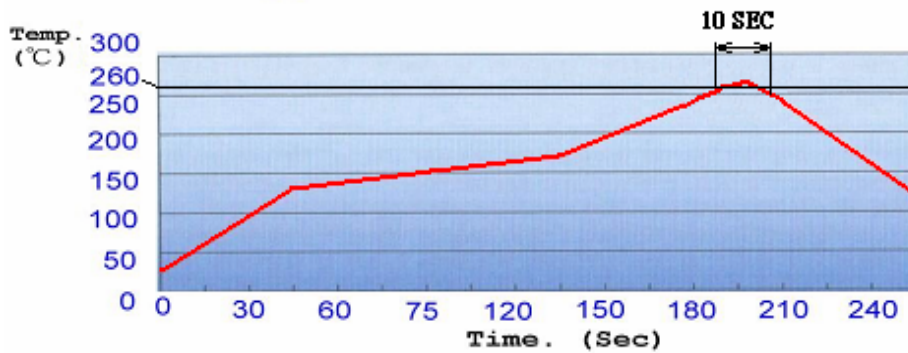


### Packing :



## MODEL NO.: HK-060

Profile of IR Reflow (Lead Free)



### PACKING

1. Tape & Reel : 350pcs / Reel , 1750pcs / Carton
2. Dry Pack : 1pcs  
Product Description:(5g Silica Gel Desiccant)  
PH: 4-8  
Package Materials: Paper(Length 6.5±1cm , Width 5±1cm)
3. Reel Packed By Vacuum
4. Seal Per Jedec

